



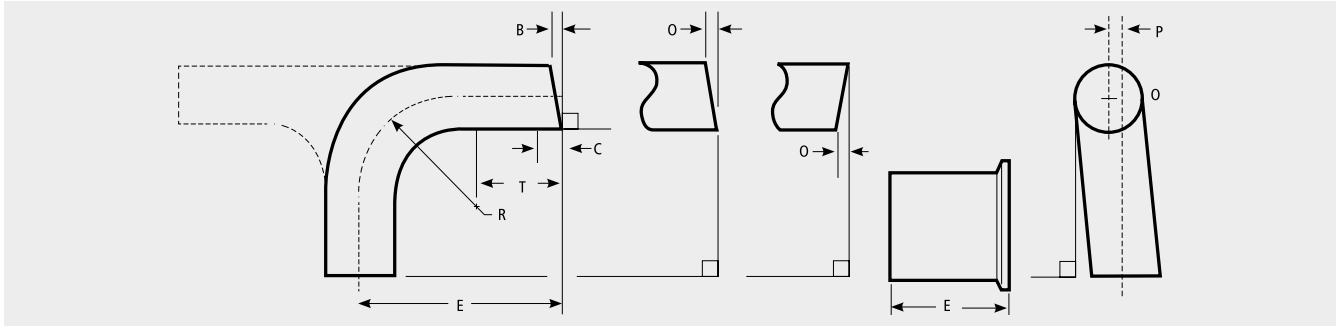
**ACCESORIOS BPE
BPE FITTINGS**

ÍNDICE / INDEX

Codo / Elbow	4
Te / Tee	8
Cruz / Cross	14
Reducción / Reducer	15
Casquillo / Ferrule	18
Abrazadera / Clamp	19
Tubo / Pipe	20
Punto de uso / Point of use	20
Juntas / Gaskets	21

Tolerancias finales para accesorios pulidos mecánicamente y componentes de proceso

Final Tolerances for Mechanically Polished Fittings and Process Components



Diámetro nominal, in. Nominal Size, in.	Diámetro externo O.D.		Espesor de pared Wall Thickness		Cara perpendicularidad con tangente, B Squareness Face to Tangent, B		Perpendicularidad, O Off Angel, O		Equivalente en ángulo (para O) Equivalent Angel (for O) deg	Planitud, P Off Plane, P		Radio, R Centerline Radius (CLR), R	
	in.	mm	in.	mm	in.	mm	in.	mm		in.	mm	in.	mm
1/4	±0,005	±0,13	+0,003/-0,004	+0,08/-0,10	0,005	0,13	0,009	0,23	2,1	0,030	0,76	0,563	14,3
3/8	±0,005	±0,13	+0,003/-0,004	+0,08/-0,10	0,005	0,13	0,012	0,30	1,8	0,030	0,76	1,125	28,58
1/2	±0,005	±0,13	+0,005/-0,008	+0,13/-0,20	0,005	0,13	0,014	0,36	1,6	0,030	0,76	1,125	28,58
3/4	±0,005	±0,13	+0,005/-0,008	+0,13/-0,20	0,005	0,13	0,018	0,46	1,4	0,030	0,76	1,125	28,58
1	±0,005	±0,13	+0,005/-0,008	+0,13/-0,20	0,008	0,20	0,025	0,64	1,4	0,030	0,76	1,5	38,1
1 1/2	±0,008	±0,20	+0,005/-0,008	+0,13/-0,20	0,008	0,20	0,034	0,86	1,3	0,050	1,27	2,25	57,1
2	±0,008	±0,20	+0,005/-0,008	+0,13/-0,20	0,008	0,20	0,043	1,09	1,2	0,050	1,27	3,000	76,2
2 1/2	±0,010	±0,25	+0,005/-0,008	+0,13/-0,20	0,010	0,25	0,054	1,37	1,2	0,050	1,27	3,750	95,25
3	±0,010	±0,25	+0,005/-0,008	+0,13/-0,20	0,016	0,41	0,068	1,73	1,3	0,050	1,27	4,500	114,30
4	±0,015	±0,38	+0,008/-0,010	+0,20/-0,25	0,016	0,41	0,086	2,18	1,2	0,060	1,52	6,000	152,40
6	±0,030	±0,76	+0,015/-0,015	+0,38/-0,38	0,030	0,76	3,43	0,86	1,3	0,060	1,52	9,000	228,60

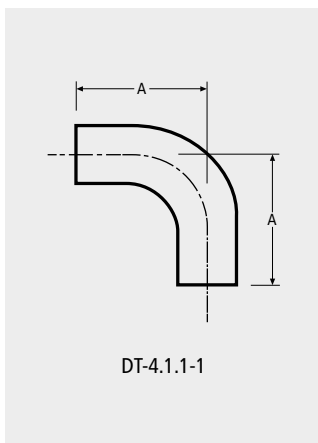
Notas generales / General Notes:

- (a) La tolerancia de la dimensión E de extremo a extremo y de centro a extremo es de ± 0,050 " (1,27 mm)
Tolerance on end-to-end and center-to-end dimension E is ±0,050" (1,27 mm)
- (b) La tolerancia para el radio de la línea central (CLR) es ± 10% de la dimensión nominal
Tolerance for centerline radius (CLR) is ±10% of the nominal dimension
- (c) La longitud de la porción de control C se fija para todos los tamaños a 0,75 " (19 mm)
The length of the control portion C is fixed for all sizes at 0,75" (19 mm)

Acabado superficial / Surface finish:

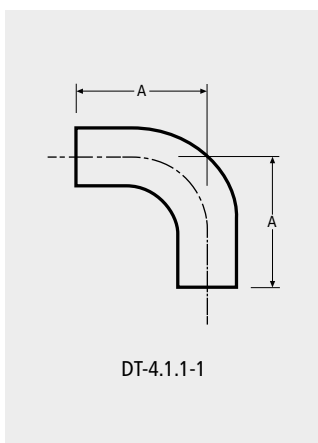
Interior/Internal: SF1 (Ra max. 0.5 µm)
Exterior/External: Ra max. 0.8 µm

CODO 90° S/S
ELBOW 90° W/W



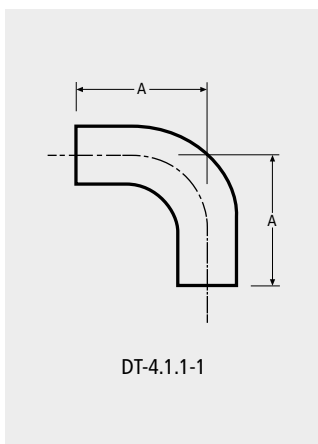
DN		A		Código / Code
Inch	mm	Inch	mm	
1/2"	12,70	3,000	76,20	T1224-0007015S
3/4"	19,05	3,000	76,20	T1224-0007020S
1"	25,40	3,000	76,20	T1224-0007025S
1 1/2"	38,10	3,750	95,30	T1224-0007040S
2"	50,80	4,750	120,70	T1224-0007050S
2 1/2"	63,50	5,500	139,70	T1224-0007063S
3"	76,20	6,250	158,80	T1224-0007076S
4"	101,60	8,000	203,20	T1224-0007100S

CODO 88° S/S
ELBOW 88° W/W



DN		A		Código / Code
Inch	mm	Inch	mm	
1/2"	12,70	3,000	76,20	T1223-0007015S
3/4"	19,05	3,000	76,20	T1223-0007020S
1"	25,40	3,000	76,20	T1223-0007025S
1 1/2"	38,10	3,750	95,30	T1223-0007040S
2"	50,80	4,750	120,70	T1223-0007050S
2 1/2"	63,50	5,500	139,70	T1223-0007063S
3"	76,20	6,250	158,80	T1223-0007076S
4"	101,60	8,000	203,20	T1223-0007100S

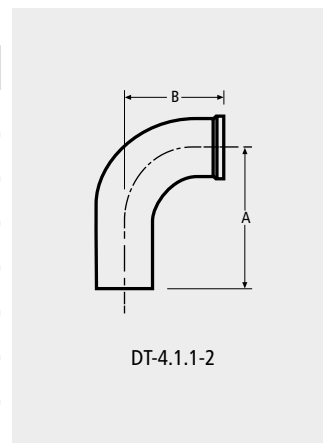
CODO 92° S/S
ELBOW 92° W/W



DN		A		Código / Code
Inch	mm	Inch	mm	
1/2"	12,70	3,000	76,20	T1225-0007015S
3/4"	19,05	3,000	76,20	T1225-0007020S
1"	25,40	3,000	76,20	T1225-0007025S
1 1/2"	38,10	3,750	95,30	T1225-0007040S
2"	50,80	4,750	120,70	T1225-0007050S
2 1/2"	63,50	5,500	139,70	T1225-0007063S
3"	76,20	6,250	158,80	T1225-0007076S
4"	101,60	8,000	203,20	T1225-0007100S

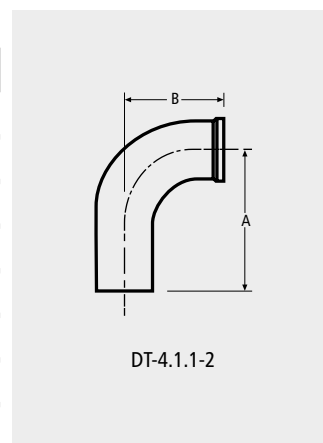
CODO 90° CL/S
ELBOW 90° CL/W

DN		A		B		Código / Code
Inch	mm	Inch	mm	Inch	mm	
1/2"	12,70	3,000	76,20	1,625	41,30	T1220-0707015S
3/4"	19,05	3,000	76,20	1,625	41,30	T1220-0707020S
1"	25,40	3,000	76,20	2,000	50,80	T1220-0707025S
1 1/2"	38,10	3,750	95,30	2,750	69,90	T1220-0707040S
2"	50,80	4,750	120,70	3,500	88,90	T1220-0707050S
2 1/2"	63,50	5,500	139,70	4,250	108,00	T1220-0707063S
3"	76,20	6,250	158,80	5,000	127,00	T1220-0707076S
4"	101,60	8,000	203,20	6,625	168,20	T1220-0707100S



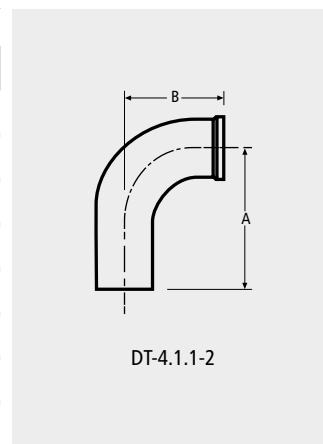
CODO 88° CL/S
ELBOW 88° CL/W

DN		A		B		Código / Code
Inch	mm	Inch	mm	Inch	mm	
1/2"	12,70	3,000	76,20	1,625	41,30	T1219-0707015S
3/4"	19,05	3,000	76,20	1,625	41,30	T1219-0707020S
1"	25,40	3,000	76,20	2,000	50,80	T1219-0707025S
1 1/2"	38,10	3,750	95,30	2,750	69,90	T1219-0707040S
2"	50,80	4,750	120,70	3,500	88,90	T1219-0707050S
2 1/2"	63,50	5,500	139,70	4,250	108,00	T1219-0707063S
3"	76,20	6,250	158,80	5,000	127,00	T1219-0707076S
4"	101,60	8,000	203,20	6,625	168,20	T1219-0707100S

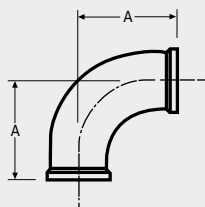


CODO 92° CL/S
ELBOW 92° CL/W

DN		A		B		Código / Code
Inch	mm	Inch	mm	Inch	mm	
1/2"	12,70	3,000	76,20	1,625	41,30	T1221-0707015S
3/4"	19,05	3,000	76,20	1,625	41,30	T1221-0707020S
1"	25,40	3,000	76,20	2,000	50,80	T1221-0707025S
1 1/2"	38,10	3,750	95,30	2,750	69,90	T1221-0707040S
2"	50,80	4,750	120,70	3,500	88,90	T1221-0707050S
2 1/2"	63,50	5,500	139,70	4,250	108,00	T1221-0707063S
3"	76,20	6,250	158,80	5,000	127,00	T1221-0707076S
4"	101,60	8,000	203,20	6,625	168,20	T1221-0707100S



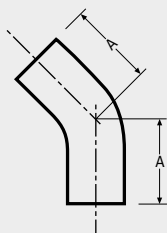
CODO 90° CL/CL
ELBOW 90° CL/CL



DT-4.1.1-3

DN		A		Código / Code
Inch	mm	Inch	mm	
1/2"	12,70	1,625	41,30	T1220-7707015S
3/4"	19,05	1,625	41,30	T1220-7707020S
1"	25,40	2,000	50,80	T1220-7707025S
1 1/2"	38,10	2,750	69,90	T1220-7707040S
2"	50,80	3,500	88,90	T1220-7707050S
2 1/2"	63,50	4,250	108,00	T1220-7707063S
3"	76,20	5,000	127,00	T1220-7707076S
4"	101,60	6,625	168,30	T1220-7707100S

CODO 45° S/S
ELBOW 45° W/W

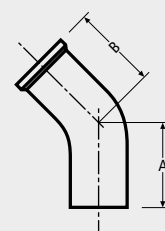


DT-4.1.1-4

DN		A		Código / Code
Inch	mm	Inch	mm	
1/2"	12,70	2,250	57,20	T1212-0007015S
3/4"	19,05	2,250	57,20	T1212-0007020S
1"	25,40	2,250	57,20	T1212-0007025S
1 1/2"	38,10	2,500	63,50	T1212-0007040S
2"	50,80	3,000	76,20	T1212-0007050S
2 1/2"	63,50	3,375	85,70	T1212-0007063S
3"	76,20	3,625	92,10	T1212-0007076S
4"	101,60	4,500	114,30	T1212-0007100S

CODO 45° CL/S
ELBOW 45° CL/W

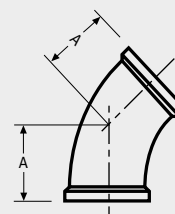
DN		A		B		Código / Code
Inch	mm	Inch	mm	Inch	mm	
1/2"	12,70	2,250	57,20	1,000	25,40	T1210-0707015S
3/4"	19,05	2,250	57,20	1,000	25,40	T1210-0707020S
1"	25,40	2,250	57,20	1,125	28,60	T1210-0707025S
1 1/2"	38,10	2,500	63,50	1,438	36,50	T1210-0707040S
2"	50,80	3,000	76,20	1,750	44,50	T1210-0707050S
2 1/2"	63,50	3,375	85,70	2,063	52,40	T1210-0707063S
3"	76,20	3,625	92,10	2,375	60,30	T1210-0707076S
4"	101,60	4,500	114,30	3,125	79,40	T1210-0707100S



DT-4.1.1-5

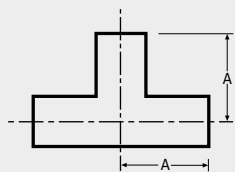
CODO 45° CL/CL
ELBOW 45° CL/CL

DN		A		Código / Code
Inch	mm	Inch	mm	
1/2"	12,70	1,000	25,40	T1210-7707015S
3/4"	19,05	1,000	25,40	T1210-7707020S
1"	25,40	1,125	28,60	T1210-7707025S
1 1/2"	38,10	1,438	36,50	T1210-7707040S
2"	50,80	1,750	44,50	T1210-7707050S
2 1/2"	63,50	2,063	52,40	T1210-7707063S
3"	76,20	2,375	60,30	T1210-7707076S
4"	101,60	3,125	79,40	T1210-7707100S



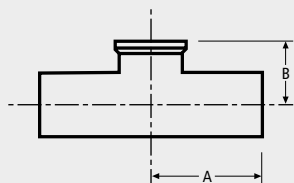
DT-4.1.1-6

TE S/S/S
STRAIGHT TEE W/W/W



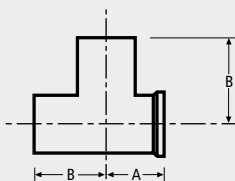
DN		A		Código / Code
Inch	mm	Inch	mm	
1/2"	12,70	1,875	47,60	T1300-0007015S
3/4"	19,05	2,000	50,80	T1300-0007020S
1"	25,40	2,125	54,00	T1300-0007025S
1 1/2"	38,10	2,375	60,30	T1300-0007040S
2"	50,80	2,875	73,00	T1300-0007050S
2 1/2"	63,50	3,125	79,40	T1300-0007063S
3"	76,20	3,375	85,70	T1300-0007076S
4"	101,60	4,125	104,80	T1300-0007100S

TE S/CL/S
EQUAL OUTLET TEE W/CL/W



DN		A		B		Código / Code
Inch	mm	Inch	mm	Inch	mm	
1/2"	12,70	1,875	47,60	1,000	25,40	T1301-0707015S
3/4"	19,05	2,000	50,80	1,125	28,60	T1301-0707020S
1"	25,40	2,125	54,00	1,125	28,60	T1301-0707025S
1 1/2"	38,10	2,375	60,30	1,375	34,90	T1301-0707040S
2"	50,80	2,875	73,00	1,625	41,30	T1301-0707050S
2 1/2"	63,50	3,125	79,40	1,875	47,60	T1301-0707063S
3"	76,20	3,375	85,70	2,125	54,00	T1301-0707076S
4"	101,60	4,125	104,80	2,750	69,90	T1301-0707100S

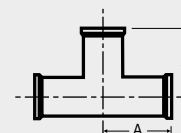
TE S/S/CL
SHORT OUTLET TEE W/W/CL



DN		A		B		Código / Code
Inch	mm	Inch	mm	Inch	mm	
1/2"	12,70	0,875	22,20	1,875	47,60	T1302-0707015S
3/4"	19,05	1,000	25,40	2,000	50,80	T1302-0707020S
1"	25,40	1,125	28,60	2,125	54,00	T1302-0707025S
1 1/2"	38,10	1,375	34,90	2,375	60,30	T1302-0707040S
2"	50,80	1,625	41,30	2,875	73,00	T1302-0707050S
2 1/2"	63,50	1,875	47,60	3,125	79,40	T1302-0707063S
3"	76,20	2,125	54,00	3,375	85,70	T1302-0707076S
4"	101,60	2,750	69,90	4,125	104,80	T1302-0707100S

TE CL/CL/CL
EQUAL TEE CL/CL/CL

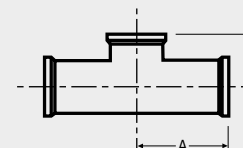
DN		A		Código / Code
Inch	mm	Inch	mm	
1/2"	12,70	2,250	57,20	T1300-7707015S
3/4"	19,05	2,375	60,30	T1300-7707020S
1"	25,40	2,625	66,70	T1300-7707025S
1 1/2"	38,10	2,875	73,00	T1300-7707040S
2"	50,80	3,375	85,70	T1300-7707050S
2 1/2"	63,50	3,625	92,10	T1300-7707063S
3"	76,20	3,875	98,40	T1300-7707076S
4"	101,60	4,750	120,70	T1300-7707100S



DT-4.1.2-4

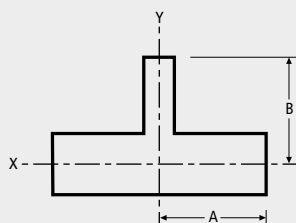
TE CORTA CL/CL/CL
SHORT OUTLET TEE CL/CL/CL

DN		A		B		Código / Code
Inch	mm	Inch	mm	Inch	mm	
1/2"	12,70	2,250	57,20	1,000	25,40	T1301-7707015S
3/4"	19,05	2,350	60,70	1,125	28,60	T1301-7707020S
1"	25,40	2,625	66,70	1,125	28,60	T1301-7707025S
1 1/2"	38,10	2,875	73,00	1,375	34,90	T1301-7707040S
2"	50,80	3,375	85,70	1,625	41,30	T1301-7707050S
2 1/2"	63,50	3,625	92,10	1,875	47,60	T1301-7707063S
3"	76,20	3,875	98,40	2,125	54,00	T1301-7707076S
4"	101,60	4,750	120,70	2,750	69,90	T1301-7707100S



DT-4.1.2-5

TE REDUCIDA S/S/S
REDUCING TEE W/W/W

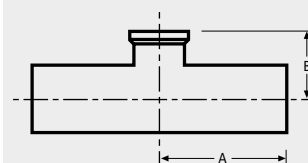


DT-4.1.2-6

	DN		A		B		Código / Code
	Inch	mm	Inch	mm	Inch	mm	
3/4" x 1/2"	19,05	12,70	2,000	50,80	2,000	50,80	T1351-0007020S
1" x 1/2"	25,40	12,70	2,125	54,00	2,125	54,00	T1352-0007025S
1" x 3/4"	25,40	19,05	2,125	54,00	2,125	54,00	T1351-0007025S
1 1/2" x 1/2"	38,10	12,70	2,375	60,30	2,375	60,30	T1354-0007040S
1 1/2" x 3/4"	38,10	19,05	2,375	60,30	2,375	60,30	T1353-0007040S
1 1/2" x 1"	38,10	25,40	2,375	60,30	2,375	60,30	T1352-0007040S
2" x 1/2"	50,80	12,70	2,875	73,00	2,625	66,70	T1355-0007050S
2" x 3/4"	50,80	19,05	2,875	73,00	2,625	66,70	T1354-0007050S
2" x 1"	50,80	25,40	2,875	73,00	2,625	66,70	T1353-0007050S
2" x 1 1/2"	50,80	38,10	2,875	73,00	2,625	66,70	T1351-0007050S
2 1/2" x 1/2"	63,50	12,70	3,125	79,40	2,875	73,00	T1356-0007063S
2 1/2" x 3/4"	63,50	19,05	3,125	79,40	2,875	73,00	T1355-0007063S
2 1/2" x 1"	63,50	25,40	3,125	79,40	2,875	73,00	T1354-0007063S
2 1/2" x 1 1/2"	63,50	38,10	3,125	79,40	2,875	73,00	T1352-0007063S
2 1/2" x 2"	63,50	50,80	3,125	79,40	2,875	73,00	T1351-0007063S
3" x 1/2"	76,20	12,70	3,375	85,70	3,125	79,40	T1357-0007076S
3" x 3/4"	76,20	19,05	3,375	85,70	3,125	79,40	T1356-0007076S
3" x 1"	76,20	25,40	3,375	85,70	3,125	79,40	T1355-0007076S
3" x 1 1/2"	76,20	38,10	3,375	85,70	3,125	79,40	T1353-0007076S
3" x 2"	76,20	50,80	3,375	85,70	3,125	79,40	T1352-0007076S
3" x 2 1/2"	76,20	63,50	3,375	85,70	3,125	79,40	T1351-0007076S
4" x 1/2"	101,60	12,70	4,125	104,80	3,625	92,10	T1358-0007100S
4" x 3/4"	101,60	19,05	4,125	104,80	3,625	92,10	T1357-0007100S
4" x 1"	101,60	25,40	4,125	104,80	3,625	92,10	T1356-0007100S
4" x 1 1/2"	101,60	38,10	4,125	104,80	3,625	92,10	T1354-0007100S
4" x 2"	101,60	50,80	4,125	104,80	3,875	98,40	T1353-0007100S
4" x 2 1/2"	101,60	63,50	4,125	104,80	3,875	98,40	T1352-0007100S
4" x 3"	101,60	76,20	4,125	104,80	3,875	98,40	T1351-0007100S

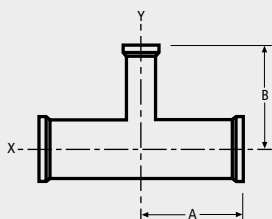
TE REDUCIDA S/CL/S
REDUCING TEE W/CL/W

DN		A		B		Código / Code
Inch	mm	Inch	mm	Inch	mm	
¾" x ½"	19,05 x 12,70	2,000	50,80	1,000	25,40	T1361-0707020S
1" x ½"	25,40 x 12,70	2,125	54,00	1,125	28,60	T1362-0707025S
1" x ¾"	25,40 x 19,05	2,125	54,00	1,125	28,60	T1361-0707025S
1½" x ½"	38,10 x 12,70	2,375	60,30	1,375	34,90	T1364-0707040S
1½" x ¾"	38,10 x 19,05	2,375	60,30	1,375	34,90	T1363-0707040S
1½" x 1"	38,10 x 25,40	2,375	60,30	1,375	34,90	T1362-0707040S
2" x ½"	50,80 x 12,70	2,875	73,00	1,625	41,30	T1365-0707050S
2" x ¾"	50,80 x 19,05	2,875	73,00	1,625	41,30	T1364-0707050S
2" x 1"	50,80 x 25,40	2,875	73,00	1,625	41,30	T1363-0707050S
2" x 1½"	50,80 x 38,10	2,875	73,00	1,625	41,30	T1361-0707050S
2½" x ½"	63,50 x 12,70	3,125	79,40	1,875	47,60	T1366-0707063S
2½" x ¾"	63,50 x 19,05	3,125	79,40	1,875	47,60	T1365-0707063S
2½" x 1"	63,50 x 25,40	3,125	79,40	1,875	47,60	T1364-0707063S
2½" x 1½"	63,50 x 38,10	3,125	79,40	1,875	47,60	T1362-0707063S
2½" x 2"	63,50 x 50,80	3,125	79,40	1,875	47,60	T1361-0707063S
3" x ½"	76,20 x 12,70	3,375	85,70	2,125	54,00	T1367-0707076S
3" x ¾"	76,20 x 19,05	3,375	85,70	2,125	54,00	T1366-0707076S
3" x 1"	76,20 x 25,40	3,375	85,70	2,125	54,00	T1365-0707076S
3" x 1½"	76,20 x 38,10	3,375	85,70	2,125	54,00	T1363-0707076S
3" x 2"	76,20 x 50,80	3,375	85,70	2,125	54,00	T1362-0707076S
3" x 2½"	76,20 x 63,50	3,375	85,70	2,125	54,00	T1361-0707076S
4" x ½"	101,60 x 12,70	4,125	104,80	2,625	66,70	T1368-0707100S
4" x ¾"	101,60 x 19,05	4,125	104,80	2,625	66,70	T1367-0707100S
4" x 1"	101,60 x 25,40	4,125	104,80	2,625	66,70	T1366-0707100S
4" x 1½"	101,60 x 38,10	4,125	104,80	2,625	66,70	T1364-0707100S
4" x 2"	101,60 x 50,80	4,125	104,80	2,625	66,70	T1363-0707100S
4" x 2½"	101,60 x 63,50	4,125	104,80	2,625	66,70	T1362-0707100S
4" x 3"	101,60 x 76,20	4,125	104,80	2,625	66,70	T1361-0707100S



DT-4.1.2-7

TE REDUCIDA CL/CL/CL
REDUCED TEE CL/CL/CL

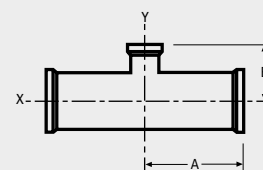


DT-4.1.2-8

	DN		A		B		Código / Code
	Inch	mm	Inch	mm	Inch	mm	
3/4" x 1/2"	19,05	12,70	2,500	63,50	2,500	63,50	T1351-7707020S
1" x 1/2"	25,40	12,70	2,625	66,70	2,625	66,70	T1352-7707025S
1" x 3/4"	25,40	19,05	2,625	66,70	2,625	66,70	T1351-7707025S
1 1/2" x 1/2"	38,10	12,70	2,875	73,00	2,875	73,00	T1354-7707040S
1 1/2" x 3/4"	38,10	19,05	2,875	73,00	2,875	73,00	T1353-7707040S
1 1/2" x 1"	38,10	25,40	2,875	73,00	2,875	73,00	T1352-7707040S
2" x 1/2"	50,80	12,70	3,375	85,70	3,125	79,40	T1355-7707050S
2" x 3/4"	50,80	19,05	3,375	85,70	3,125	79,40	T1354-7707050S
2" x 1"	50,80	25,40	3,375	85,70	3,125	79,40	T1353-7707050S
2" x 1 1/2"	50,80	38,10	3,375	85,70	3,125	79,40	T1351-7707050S
2 1/2" x 1/2"	63,50	12,70	3,625	92,10	3,375	85,70	T1356-7707063S
2 1/2" x 3/4"	63,50	19,05	3,625	92,10	3,375	85,70	T1355-7707063S
2 1/2" x 1"	63,50	25,40	3,625	92,10	3,375	85,70	T1354-7707063S
2 1/2" x 1 1/2"	63,50	38,10	3,625	92,10	3,375	85,70	T1352-7707063S
2 1/2" x 2"	63,50	50,80	3,625	92,10	3,375	85,70	T1351-7707063S
3" x 1/2"	76,20	12,70	3,875	98,40	3,625	92,10	T1357-7707076S
3" x 3/4"	76,20	19,05	3,875	98,40	3,625	92,10	T1356-7707076S
3" x 1"	76,20	25,40	3,875	98,40	3,625	92,10	T1355-7707076S
3" x 1 1/2"	76,20	38,10	3,875	98,40	3,625	92,10	T1353-7707076S
3" x 2"	76,20	50,80	3,875	98,40	3,625	92,10	T1352-7707076S
3" x 2 1/2"	76,20	63,50	3,875	98,40	3,625	92,10	T1351-7707076S
4" x 1/2"	101,60	12,70	4,750	120,70	4,125	104,80	T1358-7707100S
4" x 3/4"	101,60	19,05	4,750	120,70	4,125	104,80	T1357-7707100S
4" x 1"	101,60	25,40	4,750	120,70	4,125	104,80	T1356-7707100S
4" x 1 1/2"	101,60	38,10	4,750	120,70	4,125	104,80	T1354-7707100S
4" x 2"	101,60	50,80	4,750	120,70	4,375	111,10	T1353-7707100S
4" x 2 1/2"	101,60	63,50	4,750	120,70	4,375	111,10	T1352-7707100S
4" x 3"	101,60	76,20	4,750	120,70	4,375	111,10	T1351-7707100S

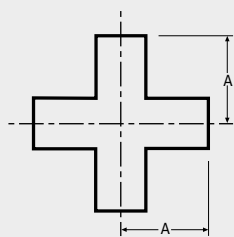
TE REDUCIDA CORTA CL/CL/CL
SHORT REDUCED TEE CL/CL/CL

DN		A		B		Código / Code
Inch	mm	Inch	mm	Inch	mm	
¾" x ½"	19,05 x 12,70	2,500	63,50	1,000	25,40	T1361-7707020S
1" x ½"	25,40 x 12,70	2,625	66,70	1,125	28,60	T1362-7707025S
1" x ¾"	25,40 x 19,05	2,625	66,70	1,125	28,60	T1361-7707025S
1½" x ½"	38,10 x 12,70	2,875	73,00	1,375	34,90	T1364-7707040S
1½" x ¾"	38,10 x 19,05	2,875	73,00	1,375	34,90	T1363-7707040S
1½" x 1"	38,10 x 25,40	2,875	73,00	1,375	34,90	T1362-7707040S
2" x ½"	50,80 x 12,70	3,375	85,70	1,625	41,30	T1365-7707050S
2" x ¾"	50,80 x 19,05	3,375	85,70	1,625	41,30	T1364-7707050S
2" x 1"	50,80 x 25,40	3,375	85,70	1,625	41,30	T1363-7707050S
2" x 1½"	50,80 x 38,10	3,375	85,70	1,625	41,30	T1361-7707050S
2½" x ½"	63,50 x 12,70	3,625	92,10	1,875	47,60	T1366-7707063S
2½" x ¾"	63,50 x 19,05	3,625	92,10	1,875	47,60	T1365-7707063S
2½" x 1"	63,50 x 25,40	3,625	92,10	1,875	47,60	T1364-7707063S
2½" x 1½"	63,50 x 38,10	3,625	92,10	1,875	47,60	T1362-7707063S
2½" x 2"	63,50 x 50,80	3,625	92,10	1,875	47,60	T1361-7707063S
3" x ½"	76,20 x 12,70	3,875	98,40	2,125	54,00	T1367-7707076S
3" x ¾"	76,20 x 19,05	3,875	98,40	2,125	54,00	T1366-7707076S
3" x 1"	76,20 x 25,40	3,875	98,40	2,125	54,00	T1365-7707076S
3" x 1½"	76,20 x 38,10	3,875	98,40	2,125	54,00	T1363-7707076S
3" x 2"	76,20 x 50,80	3,875	98,40	2,125	54,00	T1362-7707076S
3" x 2½"	76,20 x 63,50	3,875	98,40	2,125	54,00	T1361-7707076S
4" x ½"	101,60 x 12,70	4,750	120,70	2,625	66,70	T1368-7707100S
4" x ¾"	101,60 x 19,05	4,750	120,70	2,625	66,70	T1367-7707100S
4" x 1"	101,60 x 25,40	4,750	120,70	2,625	66,70	T1366-7707100S
4" x 1½"	101,60 x 38,10	4,750	120,70	2,625	66,70	T1364-7707100S
4" x 2"	101,60 x 50,80	4,750	120,70	2,625	66,70	T1363-7707100S
4" x 2½"	101,60 x 63,50	4,750	120,70	2,625	66,70	T1362-7707100S
4" x 3"	101,60 x 76,20	4,750	120,70	2,625	66,70	T1361-7707100S



DT-4.1.2-9

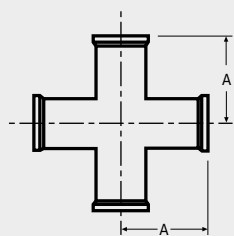
CRUZ S/S/S/S
CROSS W/W/W/W



DT-4.1.2-1

DN		A		Código / Code
Inch	mm	Inch	mm	
1/2"	12,70	1,875	47,60	T1400-0007015S
3/4"	19,05	2,000	50,80	T1400-0007020S
1"	25,40	2,125	54,00	T1400-0007025S
1 1/2"	38,10	2,375	60,30	T1400-0007040S
2"	50,80	2,875	73,00	T1400-0007050S
2 1/2"	63,50	3,125	79,40	T1400-0007063S

CRUZ CL/CL/CL/CL
CROSS CL/CL/CL/CL

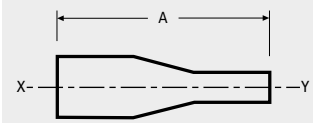


DT-4.1.2-4

DN		A		Código / Code
Inch	mm	Inch	mm	
1/2"	12,70	2,250	57,20	T1400-7707015S
3/4"	19,05	2,375	60,30	T1400-7707020S
1"	25,40	2,625	66,70	T1400-7707025S
1 1/2"	38,10	2,875	73,00	T1400-7707040S
2"	50,80	3,375	85,70	T1400-7707050S
2 1/2"	63,50	3,625	92,10	T1400-7707063S
3"	76,20	3,875	98,40	T1400-7707076S
4"	101,60	4,750	120,70	T1400-7707100S

REDUCCIÓN CONCÉNTRICA S/S
CONCENTRIC REDUCER W/W

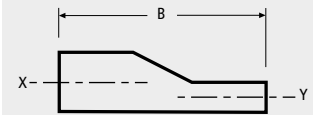
DN		A		Código / Code
Inch	mm	Inch	mm	
¾" x ½"	19,05 x 12,70	4,000	101,60	T1531-0007020S
1" x ½"	25,40 x 12,70	4,500	114,30	T1532-0007025S
1" x ¾"	25,40 x 19,05	4,000	101,60	T1531-0007025S
1½" x ¾"	38,10 x 19,05	5,000	127,00	T1533-0007040S
1½" x 1"	38,10 x 25,40	5,000	127,00	T1532-0007040S
2" x 1"	50,80 x 25,40	7,250	184,20	T1533-0007050S
2" x 1½"	50,80 x 38,10	5,250	133,40	T1531-0007050S
2½" x 1½"	63,50 x 38,10	7,250	184,20	T1532-0007063S
2½" x 2"	63,50 x 50,80	5,500	139,70	T1531-0007063S
3" x 1½"	76,20 x 38,10	9,250	235,00	T1533-0007076S
3" x 2"	76,20 x 50,80	7,500	190,50	T1532-0007076S
3" x 2½"	76,20 x 63,50	5,500	139,70	T1531-0007076S
4" x 2"	101,60 x 50,80	11,750	298,50	T1533-0007100S
4" x 2½"	101,60 x 63,50	9,750	247,70	T1532-0007100S
4" x 3"	101,60 x 76,20	7,750	196,90	T1531-0007100S



DT-4.1.3-1(b)

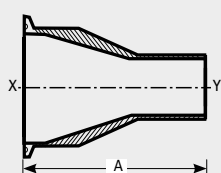
REDUCCIÓN EXCÉNTRICA S/S
ECCENTRIC REDUCER W/W

DN		B		Código / Code
Inch	mm	Inch	mm	
¾" x ½"	19,05 x 12,70	4,000	101,60	T1582-0007020S
1" x ½"	25,40 x 12,70	4,500	114,30	T1582-0007025S
1" x ¾"	25,40 x 19,05	4,000	101,60	T1581-0007025S
1½" x ¾"	38,10 x 19,05	5,000	127,00	T1583-0007040S
1½" x 1"	38,10 x 25,40	5,000	127,00	T1582-0007040S
2" x 1"	50,80 x 25,40	7,250	184,20	T1583-0007050S
2" x 1½"	50,80 x 38,10	5,250	133,40	T1581-0007050S
2½" x 1½"	63,50 x 38,10	7,250	184,20	T1582-0007063S
2½" x 2"	63,50 x 50,80	5,500	139,70	T1581-0007063S
3" x 1½"	76,20 x 38,10	9,250	235,00	T1583-0007076S
3" x 2"	76,20 x 50,80	7,500	190,50	T1582-0007076S
3" x 2½"	76,20 x 63,50	5,500	139,70	T1581-0007076S
4" x 2"	101,60 x 50,80	11,750	298,50	T1583-0007100S
4" x 2½"	101,60 x 63,50	9,750	247,70	T1582-0007100S
4" x 3"	101,60 x 76,20	7,750	196,90	T1581-0007100S



DT-4.1.3-1(b)

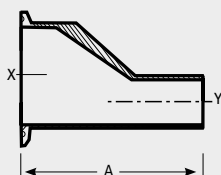
REDUCCIÓN CONCÉNTRICA CL/S
CONCENTRIC REDUCER CL/W



DT-4.1.3-2(b)

DN		A		Código / Code
Inch	mm	Inch	mm	
¾" x ½"	19,05 x 12,70	2,625	66,70	T1531-7007020S
1" x ½"	25,40 x 12,70	3,000	76,20	T1532-7007025S
1" x ¾"	25,40 x 19,05	2,625	66,70	T1531-7007025S
1½" x ¾"	38,10 x 19,05	3,500	88,90	T1533-7007040S
1½" x 1"	38,10 x 25,40	3,000	76,20	T1532-7007040S
2" x 1"	50,80 x 25,40	3,875	98,40	T1533-7007050S
2" x 1½"	50,80 x 38,10	3,000	76,20	T1531-7007050S
2½" x 1½"	63,50 x 38,10	3,875	98,40	T1532-7007063S
2½" x 2"	63,50 x 50,80	3,000	76,20	T1531-7007063S
3" x 1½"	76,20 x 38,10	4,750	120,70	T1533-7007076S
3" x 2"	76,20 x 50,80	3,875	98,40	T1532-7007076S
3" x 2½"	76,20 x 63,50	3,125	79,40	T1531-7007076S
4" x 2"	101,60 x 50,80	5,750	146,10	T1533-7007100S
4" x 2½"	101,60 x 63,50	4,875	123,80	T1532-7007100S
4" x 3"	101,60 x 76,20	4,500	114,30	T1531-7007100S

REDUCCIÓN EXCÉNTRICA CL/S
ECCENTRIC REDUCER CL/W

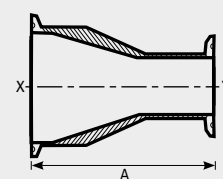


DT-4.1.3-2(b)

DN		A		Código / Code
Inch	mm	Inch	mm	
¾" x ½"	19,05 x 12,70	2,625	66,70	T1581-7007020S
1" x ½"	25,40 x 12,70	3,000	76,20	T1582-7007025S
1" x ¾"	25,40 x 19,05	2,625	66,70	T1581-7007025S
1½" x ¾"	38,10 x 19,05	3,500	88,90	T1583-7007040S
1½" x 1"	38,10 x 25,40	3,000	76,20	T1582-7007040S
2" x 1"	50,80 x 25,40	3,875	98,40	T1583-7007050S
2" x 1½"	50,80 x 38,10	3,000	76,20	T1581-7007050S
2½" x 1½"	63,50 x 38,10	3,875	98,40	T1582-7007063S
2½" x 2"	63,50 x 50,80	3,000	76,20	T1581-7007063S
3" x 1½"	76,20 x 38,10	4,750	120,70	T1583-7007076S
3" x 2"	76,20 x 50,80	3,875	98,40	T1582-7007076S
3" x 2½"	76,20 x 63,50	3,125	79,40	T1581-7007076S
4" x 2"	101,60 x 50,80	5,750	146,10	T1583-7007100S
4" x 2½"	101,60 x 63,50	4,875	123,80	T1582-7007100S
4" x 3"	101,60 x 76,20	4,500	114,30	T1581-7007100S

REDUCCIÓN CONCÉNTRICA CL/CL
CONCENTRIC REDUCER CL/CL

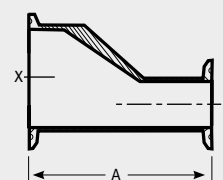
DN		A		Código / Code
Inch	mm	Inch	mm	
¾" x ½"	19,05 x 12,70	3,125	79,40	T1531-7707020S
1" x ½"	25,40 x 12,70	3,500	88,90	T1532-7707025S
1" x ¾"	25,40 x 19,05	3,125	79,40	T1531-7707025S
1½" x ¾"	38,10 x 12,70	4,000	101,60	T1533-7707040S
1½" x 1"	38,10 x 19,05	3,500	88,90	T1532-7707040S
2" x 1"	50,80 x 25,40	4,375	111,10	T1533-7707050S
2" x 1½"	50,80 x 38,10	3,500	88,90	T1531-7707050S
2½" x 1½"	63,50 x 38,10	4,375	111,10	T1532-7707063S
2½" x 2"	63,50 x 50,80	3,500	88,90	T1531-7707063S
3" x 1½"	76,20 x 38,10	5,250	133,40	T1533-7707076S
3" x 2"	76,20 x 50,80	4,375	111,10	T1532-7707076S
3" x 2½"	76,20 x 63,50	3,625	92,10	T1531-7707076S
4" x 2"	101,60 x 50,80	6,250	158,80	T1533-7707100S
4" x 2½"	101,60 x 63,50	5,375	136,50	T1532-7707100S
4" x 3"	101,60 x 76,20	5,000	127,00	T1531-7707100S



DT-4.1.3-3(b)

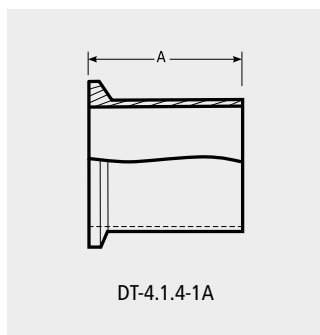
REDUCCIÓN EXCÉNTRICA CL/CL
ECCENTRIC REDUCER CL/CL

DN		A		Código / Code
Inch	mm	Inch	mm	
¾" x ½"	19,05 x 12,70	3,125	79,40	T1581-7707020S
1" x ½"	25,40 x 12,70	3,500	88,90	T1582-7707025S
1" x ¾"	25,40 x 19,05	3,125	79,40	T1581-7707025S
1½" x ¾"	38,10 x 12,70	4,000	101,60	T1583-7707040S
1½" x 1"	38,10 x 19,05	3,500	88,90	T1582-7707040S
2" x 1"	50,80 x 25,40	4,375	111,10	T1583-7707050S
2" x 1½"	50,80 x 38,10	3,500	88,90	T1582-7707050S
2½" x 1½"	63,50 x 38,10	4,375	111,10	T1582-7707063S
2½" x 2"	63,50 x 50,80	3,500	88,90	T1581-7707063S
3" x 1½"	76,20 x 38,10	5,250	133,40	T1583-7707076S
3" x 2"	76,20 x 50,80	4,375	111,10	T1582-7707076S
3" x 2½"	76,20 x 63,50	3,625	92,10	T1581-7707076S
4" x 2"	101,60 x 50,80	6,250	158,80	T1583-7707100S
4" x 2½"	101,60 x 63,50	5,375	136,50	T1582-7707100S
4" x 3"	101,60 x 76,20	5,000	127,00	T1581-7707100S



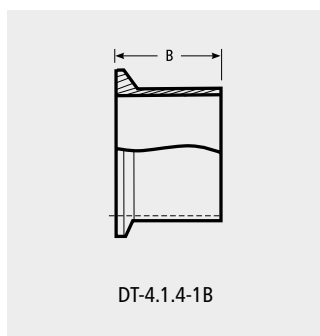
DT-4.1.3-3(b)

CASQUILLO LARGO CL
LONG FERRULE CL



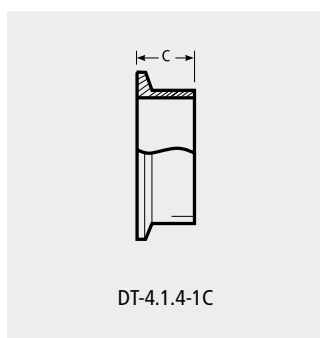
DN		A		Código / Code
Inch	mm	Inch	mm	
1/2"	12,70	1,750	44,50	R1712-007015S
3/4"	19,05	1,750	44,50	R1712-007020S
1"	25,40	1,750	44,50	R1712-007025S
1 1/2"	38,10	1,750	44,50	R1712-007040S
2"	50,80	2,250	57,20	R1712-007050S
2 1/2"	63,50	2,250	57,20	R1712-007063S
3"	76,20	2,250	57,20	R1712-007076S
4"	101,60	2,250	57,20	R1712-007100S

CASQUILLO CL
FERRULE CL



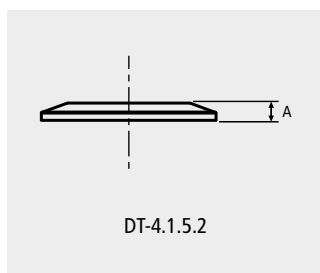
DN		B		Código / Code
Inch	mm	Inch	mm	
1/2"	12,70	1,130	28,70	R1710-007015S
3/4"	19,05	1,130	28,70	R1710-007020S
1"	25,40	1,130	28,70	R1710-007025S
1 1/2"	38,10	1,130	28,70	R1710-007040S
2"	50,80	1,130	28,70	R1710-007050S
2 1/2"	63,50	1,130	28,70	R1710-007063S
3"	76,20	1,130	28,70	R1710-007076S
4"	101,60	1,130	28,70	R1710-007100S

CASQUILLO CORTO CL
SHORT FERRULE CL



DN		C		Código / Code
Inch	mm	Inch	mm	
1/2"	12,70	0,500	12,70	R1711-007015S
3/4"	19,05	0,500	12,70	R1711-007020S
1"	25,40	0,500	12,70	R1711-007025S
1 1/2"	38,10	0,500	12,70	R1711-007040S
2"	50,80	0,500	12,70	R1711-007050S
2 1/2"	63,50	0,500	12,70	R1711-007063S
3"	76,20	0,500	12,70	R1711-007076S
4"	101,60	0,625	15,90	R1711-007100S

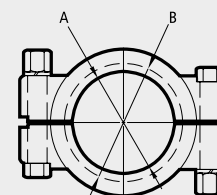
CASQUILLO CIEGO CL
CAP CL



DN		A		Código / Code
Inch	mm	Inch	mm	
1/2" - 3/4"	12,70 - 19,05	0,187	4,70	R1714-007015S
1" - 1 1/2"	25,40 - 38,10	0,250	6,40	R1714-007025S
2"	50,80	0,250	6,40	R1714-007050S
2 1/2"	63,50	0,250	6,40	R1714-007063S
3"	76,20	0,250	6,40	R1714-007076S
4"	101,60	0,312	7,90	R1714-007100S

ABRAZADERA DE ALTA PRESIÓN
HIGH PRESSURE CLAMP

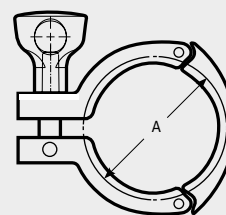
DN		Código / Code	
Inch	A mm	B mm	
½" - ¾"	20	28	T1730-0004015
1" - 1½"	43,3	52	T1730-0004040
2"	56,4	65,5	T1730-0004050
2½"	69,5	79	T1730-0004063
3"	77,5	92,5	T1730-0004076
4"	108,9	120,4	T1730-0004100



13MHP

ABRAZADERA 3 PIEZAS
3-PIECE HEAVY DUTY CLAMP

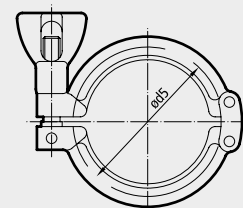
DN		Código / Code	
Inch	mm		
1" - 1½"	54	R0721-004025	
2"	67,5	R0721-004050	
2½"	80,9	R0721-004063	
3"	84,4	R0721-004076	
4"	122,4	R0721-004100	



13MHHS

ABRAZADERA
HEAVY DUTY CLAMP

DN		Código / Code	
Inch	Ød5		
½"	28	R0720-114015	
¾"	28	R0720-004015	
1"	53,6	R0720-004025	
1½"	53,6	R0720-004025	
2"	67	R0720-004050	
2½"	80,6	R0720-004063	
3"	94	R0720-004065	
4"	122	R0720-004100	



Fig,1703

TUBO
PIPE



DN		A		Código / Code
Inch	mm	Inch	mm	
1/2"	12,70	0,065	1,65	2B580-06015000P
3/4"	19,05	0,065	1,65	2B580-06020000P
1"	25,40	0,065	1,65	2B580-06025000P
1 1/2"	38,10	0,065	1,65	2B580-06040000P
2"	50,80	0,065	1,65	2B580-06050000P
2 1/2"	63,50	0,065	1,65	2B580-06063000P
3"	76,20	0,065	1,65	2B580-06076000P
4"	101,60	0,083	2,11	2B580-06100000P

PUNTO USO VERTICAL S/CL/S
VERTICAL POINT OF UE W/CL/W

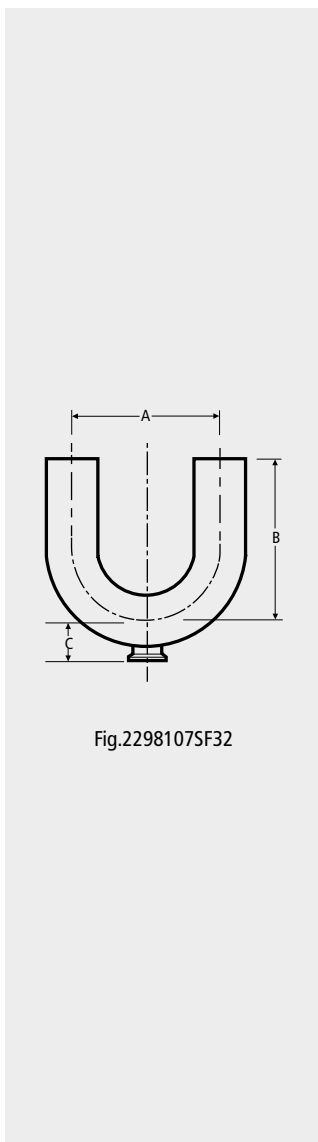


Fig.2298107SF32

DN		A		B		C		Código / Code
Inch	mm	Inch	mm	Inch	mm	Inch	mm	
1" x 1/2"	25,40 x 12,70	3,000	76,20	3,000	76,20	1,125	28,58	T1902-0707025S
1" x 3/4"	25,40 x 19,05	3,000	76,20	3,000	76,20	1,125	28,58	T1901-0707025S
1" x 1"	25,40 x 25,40	3,000	76,20	3,000	76,20	1,125	28,58	T1900-0707025S
1 1/2" x 1/2"	38,10 x 12,70	4,500	114,30	4,500	114,30	1,375	34,93	T1904-0707040S
1 1/2" x 3/4"	38,10 x 19,05	4,500	114,30	4,500	114,30	1,375	34,93	T1903-0707040S
1 1/2" x 1"	38,10 x 25,40	4,500	114,30	4,500	114,30	1,375	34,93	T1902-0707040S
1 1/2" x 1 1/2"	38,10 x 38,10	4,500	114,30	4,500	114,30	1,375	34,93	T1900-0707040S
2" x 1/2"	50,80 x 12,70	6,000	152,40	5,000	127,00	1,625	41,28	T1905-0707050S
2" x 3/4"	50,80 x 19,05	6,000	152,40	5,000	127,00	1,625	41,28	T1904-0707050S
2" x 1"	50,80 x 25,40	6,000	152,40	5,000	127,00	1,625	41,28	T1903-0707050S
2" x 1 1/2"	50,80 x 38,10	6,000	152,40	5,000	127,00	1,625	41,28	T1901-0707050S
2" x 2"	50,80 x 50,80	6,000	152,40	5,000	127,00	1,625	41,28	T1900-0707050S
2 1/2" x 1/2"	63,50 x 12,70	7,500	190,50	5,750	146,05	1,875	47,63	T1906-0707063S
2 1/2" x 3/4"	63,50 x 19,05	7,500	190,50	5,750	146,05	1,875	47,63	T1905-0707063S
2 1/2" x 1"	63,50 x 25,40	7,500	190,50	5,750	146,05	1,875	47,63	T1904-0707063S
2 1/2" x 1 1/2"	63,50 x 38,10	7,500	190,50	5,750	146,05	1,875	47,63	T1902-0707063S
2 1/2" x 2"	63,50 x 50,80	7,500	190,50	5,750	146,05	1,875	47,63	T1901-0707063S
3" x 1/2"	76,20 x 12,70	9,000	228,60	6,500	165,10	2,125	53,98	T1907-0707076S
3" x 3/4"	76,20 x 19,05	9,000	228,60	6,500	165,10	2,125	53,98	T1906-0707076S
3" x 1"	76,20 x 25,40	9,000	228,60	6,500	165,10	2,125	53,98	T1905-0707076S
3" x 1 1/2"	76,20 x 38,10	9,000	228,60	6,500	165,10	2,125	53,98	T1903-0707076S
3" x 2"	76,20 x 50,80	9,000	228,60	6,500	165,10	2,125	53,98	T1902-0707076S
4" x 1/2"	101,60 x 12,70	12,000	304,80	8,500	215,90	2,625	66,68	T1908-0707100S
4" x 3/4"	101,60 x 19,05	12,000	304,80	8,500	215,90	2,625	66,68	T1907-0707100S
4" x 1"	101,60 x 25,40	12,000	304,80	8,500	215,90	2,625	66,68	T1906-0707100S
4" x 1 1/2"	101,60 x 38,10	12,000	304,80	8,500	215,90	2,625	66,68	T1904-0707100S
4" x 2"	101,60 x 50,80	12,000	304,80	8,500	215,90	2,625	66,68	T1903-0707100S

JUNTA DE FARMACIA PARA TUBO PHARMACEUTICAL GASKETS FOR PIPE

JUNTA CLAMP EPDM CLAMP GASKET EPDM

Inch	DN			Código / Code			
	Ød3	Ød5	S	EPDM ¹	FPM ¹	TUF-STEEL ¹	VMQ PLATINUM ¹
1/2"	10,8	21,8	4,5	R1768-052015	R1768-078015	R1768-073015	R1768-064015
3/4"	16,2	21,8	4,5	R1768-052020	R1768-078020	R1768-073020	R1768-064020
1"	22,5	50,5	5,5	R1768-052025	R1768-078025	R1768-073025	R1768-064025
1 1/2"	35,3	50,5	5,5	R1768-052040	R1768-078040	R1768-073040	R1768-064040
2"	47,8	64	5,5	R1768-052050	R1768-078050	R1768-073050	R1768-064050
2 1/2"	61	77,5	5,5	R1768-052063	R1768-078063	R1768-073063	R1768-064063
3"	73,5	91	5,5	R1768-052076	R1768-078076	R1768-073076	R1768-064076
4"	98,2	119	5,5	R1768-052100	R1768-078100	R1768-073100	R1768-064100

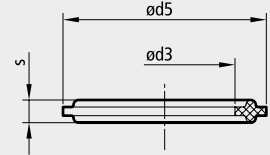


Fig.40MPE
Fig.40MPSFY
Fig.40MPGTS
Fig.40RXPX

JUNTA CLAMP PTFE CLAMP GASKET PTFE

Inch	DN			Código / Code	
	Ød3	Ød5	S	PTFE/EPDM ²	PTFE ²
1/2"	9,6	21,8	4,5	R1768-097015	R1768-070015
3/4"	16	21,8	4,5	R1768-097020	R1768-070020
1"	22,2	50,5	5,5	R1768-097025	R1768-070025
1 1/2"	35	50,5	5,5	R1768-097040	R1768-070040
2"	47,6	64	5,5	R1768-097050	R1768-070050
2 1/2"	60,3	77,5	5,5	R1768-097063	R1768-070063
3"	72,9	91	5,5	R1768-097076	R1768-070076
4"	97,4	119	5,5	R1768-097100	R1768-070100

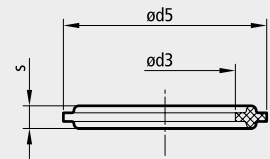


Fig.40MPGR-E
Fig.40MPG

¹ UPS class VI / Cytotoxicity testing / FDA 21 CFR 177.2600 / 3-A standard

² UPS class VI / Cytotoxicity testing / FDA 21 CFR 177.1550 / 3-A standard