



ACCESORIOS Y RACORES
FITTINGS AND UNIONS
ACCESSOIRES ET RACCORDS



ÍNDICE / INDEX

ACCESORIOS Y RACORES PARA TUBO SANITARIO DIN 11850
FITTINGS AND UNIONS FOR DIN 11850 SANITARY TUBE
ACCESSOIRES ET RACCORDS POUR TUBE SANITAIRE DIN 11850

- Accesorios (serie antigua) / Fittings (old series) / Accessoires (ancienne série) DIN 11852
- Accesorios (serie 2) / Fittings (series 2) / Accessoires (série 2) DIN 11852
- Racores / Unions / Raccords DIN 11851
- Clamp DIN 32676

4
8
17
22

ACCESORIOS Y RACORES PARA TUBO SANITARIO ASME
FITTINGS AND UNIONS FOR ASME SANITARY TUBE
ACCESSOIRES ET RACCORDS POUR TUBE SANITAIRE ASME

- Accesorios / Fittings / Accessoires OD
- Racores / Unions / Raccords Clamp OD

25
28

ACCESORIOS Y RACORES PARA TUBO SANITARIO SMS
FITTINGS AND UNIONS FOR SMS SANITARY TUBE
ACCESSOIRES ET RACCORDS POUR TUBE SANITAIRE SMS

- Accesorios / Fittings / Accessoires SMS
- Racores / Unions / Raccords Clamp SMS

30
31

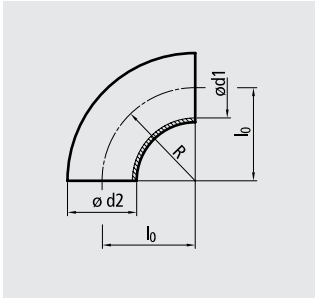
ACCESORIOS PARA TUBO SANITARIO DIN 11850 (SERIE ANTIGUA) FITTINGS AND UNIONS FOR DIN 11850 (OLD SERIES) SANITARY TUBE ACCESSOIRES POUR TUBE SANITAIRE DIN 11850 (ANCIENNE SÉRIE)

4

DIN 11850 (OLD SERIES)

CODO 90° SOLDAR
WELDING BEND 90°
COUDE 90° A SOUDER

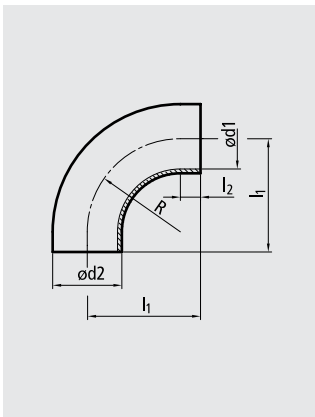
Según DIN 11852 (SERIE ANTIGUA)
According to DIN 11852 (OLD SERIES)
Selon DIN 11852 (ANCIENNE SÉRIE)



DN	Ød1	Ød2	l ₀	R	AISI 304	AISI 316L	kg
10	9	12	26	26	T0220-0004010	T0220-0006010	0,015
15	15	18	35	35	T0220-0004015	T0220-0006015	0,030
20	19	22	40	40	T0220-0004020	T0220-0006020	0,045
25	25	28	50	50	T0220-0004025	T0220-0006025	0,070
32	31	34	55	55	T0220-0004032	T0220-0006032	0,090
40	37	40	60	60	T0220-0004040	T0220-0006040	0,125
50	49	52	70	70	T0220-0004050	T0220-0006050	0,200

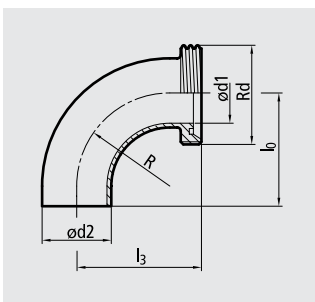
CODO 90° SOLDAR/MANDRINAR
EXPANDING WELDING BEND 90°
COUDE 90° A SOUDER/DUDGEONNER

Según DIN 11852 (SERIE ANTIGUA)
According to DIN 11852 (OLD SERIES)
Selon DIN 11852 (ANCIENNE SÉRIE)



DN	Ød1	Ød2	l ₁	l ₂	R	AISI 304	AISI 316L	kg
10	9	12	38	12	26	T0222-0004010	T0222-0006010	0,025
15	15	18	47	12	35	T0222-0004015	T0222-0006015	0,050
20	19	22	52	12	40	T0222-0004020	T0222-0006020	0,065
25	25	28	70	20	50	T0222-0004025	T0222-0006025	0,125
32	31	34	78	23	55	T0222-0004032	T0222-0006032	0,150
40	37	40	85	25	60	T0222-0004040	T0222-0006040	0,180
50	49	52	97	27	70	T0222-0004050	T0222-0006050	0,270
65	66	70	110	30	80	T0222-0004065	T0222-0006065	0,570
80	81	85	118	28	90	T0222-0004080	T0222-0006080	0,780
100	100	104	140	40	100	T0222-0004100	T0222-0006100	1,070

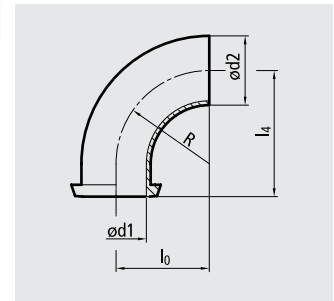
CODO 90° S/M
BEND 90° W/M
COUDE 90° S/M



DN	Ød1	Ød2	Rd	l ₀	l ₃	R	AISI 316L	kg
10	9	12	28x1/8"	26	43	26	T0220-0106010	-
15	15	18	34x1/8"	35	52	35	T0220-0106015	-
20	19	22	44x1/6"	40	59	40	T0220-0106020	-
25	25	28	52x1/6"	50	72	50	T0220-0106025	-
32	31	34	58x1/6"	55	77	55	T0220-0106032	-
40	37	40	65x1/6"	60	82	60	T0220-0106040	-
50	49	52	78x1/6"	70	93	70	T0220-0106050	-

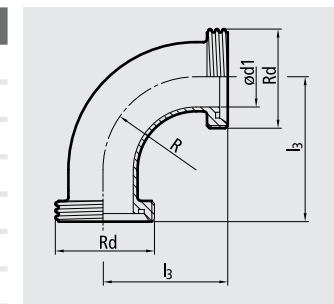
CODO 90° S/T
BEND 90° W/N
COUDE 90° S/E

DN	Ød1	Ød2	l ₀	l ₄	R	AISI 316L	kg
10	9	12	26	39	26	T0220-0706010	-
15	15	18	35	48	35	T0220-0706015	-
20	19	22	40	53	40	T0220-0706020	-
25	25	28	50	65	50	T0220-0706025	-
32	31	34	55	70	55	T0220-0706032	-
40	37	40	60	75	60	T0220-0706040	-
50	49	52	70	86	70	T0220-0706050	-



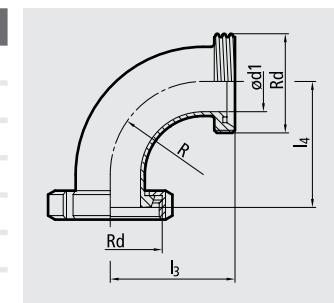
CODO 90° M/M
BEND 90° M/M
COUDE 90° M/M

DN	Ød1	Rd	l ₃	R	AISI 316L	kg
10	9	28x1/8"	43	26	T0220-1106010	-
15	15	34x1/8"	52	35	T0220-1106015	-
20	19	44x1/6"	59	40	T0220-1106020	-
25	25	52x1/6"	72	50	T0220-1106025	-
32	31	58x1/6"	77	55	T0220-1106032	-
40	37	65x1/6"	82	60	T0220-1106040	-
50	49	78x1/6"	93	70	T0220-1106050	-

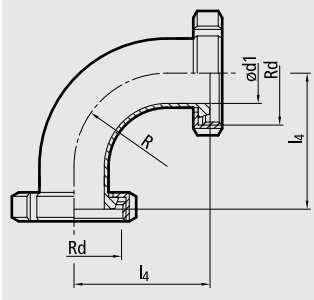


CODO 90° M/T
BEND 90° M/N
COUDE 90° M/E

DN	Ød1	Rd	l ₃	l ₄	R	AISI 316L	kg
10	9	28x1/8"	43	39	26	T0220-1306010	-
15	15	34x1/8"	52	48	35	T0220-1306015	-
20	19	44x1/6"	59	53	40	T0220-1306020	-
25	25	52x1/6"	72	65	50	T0220-1306025	-
32	31	58x1/6"	77	70	55	T0220-1306032	-
40	37	65x1/6"	82	75	60	T0220-1306040	-
50	49	78x1/6"	93	86	70	T0220-1306050	-



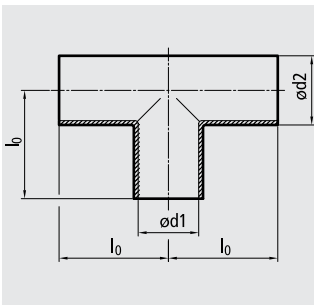
CODO 90° T/T
BEND 90° N/N
COUDE 90° E/E



DN	Ød1	Rd	l_4	R	AISI 316L	kg
10	9	28x1/8"	39	26	T0220-3306010	-
15	15	34x1/8"	48	35	T0220-3306015	-
20	19	44x1/6"	53	40	T0220-3306020	-
25	25	52x1/6"	65	50	T0220-3306025	-
32	31	58x1/6"	70	55	T0220-3306032	-
40	37	65x1/6"	75	60	T0220-3306040	-
50	49	78x1/6"	86	70	T0220-3306050	-

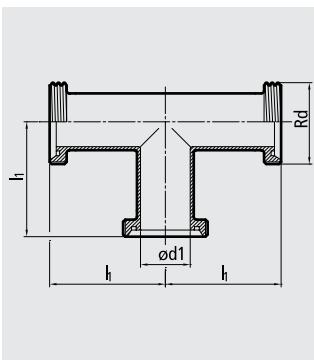
TE SOLDAR
WELDING TEE
TE A SOUDER

Según DIN 11852 (SERIE ANTIGUA)
According to DIN 11852 (OLD SERIES)
Selon DIN 11852 (OLD SERIES)



DN	Ød1	Ød2	l_0	AISI 304	AISI 316L	kg
10	9	12	26	T0300-0004010	T0300-0006010	0,025
15	15	18	35	T0300-0004015	T0300-0006015	0,055
20	19	22	40	T0300-0004020	T0300-0006020	0,075
25	25	28	50	T0300-0004025	T0300-0006025	0,115
32	31	34	55	T0300-0004032	T0300-0006032	0,160
40	37	40	60	T0300-0004040	T0300-0006040	0,210
50	49	52	70	T0300-0004050	T0300-0006050	0,305

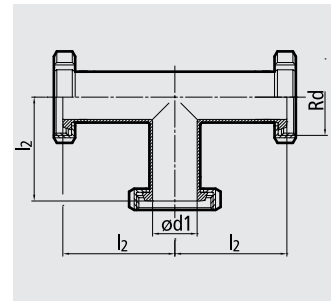
TE M/M/M
TEE M/M/M
TE F/F/F



DN	Ød1	Rd	l_1	AISI 316L	kg
10	9	28x1/8"	43	T0300-1106010	-
15	15	34x1/8"	52	T0300-1106015	-
20	19	44x1/6"	59	T0300-1106020	-
25	25	52x1/6"	72	T0300-1106025	-
32	31	58x1/6"	77	T0300-1106032	-
40	37	65x1/6"	82	T0300-1106040	-
50	49	78x1/6"	93	T0300-1106050	-

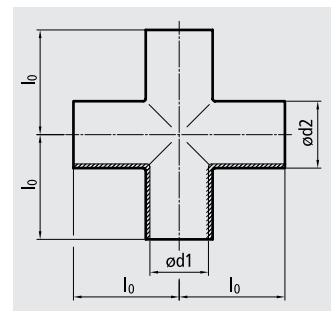
TE T/T/T
TEE N/N/N
TE F/F/F

DN	Ød1	Rd	l_2	AISI 316L	kg
10	9	28x1/8"	39	T0300-3306010	-
15	15	34x1/8"	48	T0300-3306015	-
20	19	44x1/6"	53	T0300-3306020	-
25	25	52x1/6"	65	T0300-3306025	-
32	31	58x1/6"	70	T0300-3306032	-
40	37	65x1/6"	75	T0300-3306040	-
50	49	78x1/6"	86	T0300-3306050	-



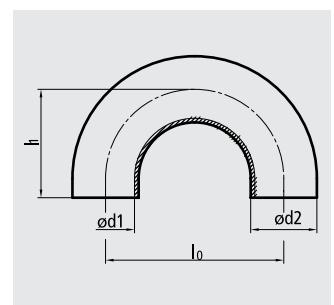
CRUZ SOLDAR
WELDING CROSS
CROIX A SOUDER

DN	Ød1	Ød2	l_0	AISI 316L	kg
10	9	12	26	T0400-0006010	-
15	15	18	35	T0400-0006015	-
20	19	22	40	T0400-0006020	-
25	25	28	50	T0400-0006025	-
32	31	34	55	T0400-0006032	-
40	37	40	60	T0400-0006040	0,282
50	49	52	70	T0400-0006050	0,417



CURVA 180° SOLDAR
WELDING BEND 180°
COUDE 180° SOUDER/DUDGEONNER

DN	Ød1	Ød2	l_0	l_1	AISI 304	AISI 316L	kg
10	9	12	52	26	T0230-0004010	T0230-0006010	-
15	15	18	68	34	T0230-0004015	T0230-0006015	-
20	19	22	76	38	T0230-0004020	T0230-0006020	-
25	25	28	100	50	T0230-0004025	T0230-0006025	0,141
32	31	34	110	55	T0230-0004032	T0230-0006032	-
40	37	40	120	60	T0230-0004040	T0230-0006040	0,243
50	49	52	140	70	T0230-0004050	T0230-0006050	-

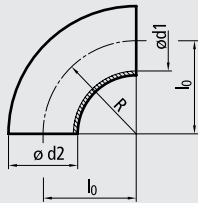


ACCESORIOS PARA TUBO DIN 11850 (SERIE 2) FITTINGS FOR DIN 11850 (SERIES 2) TUBE ACCESSOIRES POUR TUBE DIN 11850 (SÉRIE 2)

DIN 11850 (SERIES 2)

CODO 90° SOLDAR
WELDING BEND 90°
COUDE 90° A SOUDER

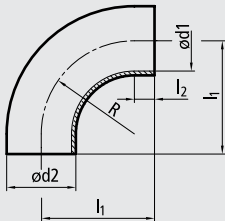
Según DIN 11852 (SERIE 2) Form BS-90
According to DIN 11852 (SERIES 2) Form BS-90
Selon DIN 11852 (SÉRIE 2) Form BS-90



DN	Ød1	Ød2	l ₀	R	AISI 304	AISI 316L	kg
10	10	13	26	26	T0220-00030102	T0220-00060102	0,015
15	16	19	35	35	T0220-00030152	T0220-00060152	0,030
20	20	23	40	40	T0220-00030202	T0220-00060202	0,045
25	26	29	50	50	T0220-00030252	T0220-00060252	0,070
32	32	35	55	55	T0220-00030322	T0220-00060322	0,090
40	38	41	60	60	T0220-00030402	T0220-00060402	0,125
50	50	53	70	70	T0220-00030502	T0220-00060502	0,200
65	66	70	80	80	T0220-0004065	T0220-0006065	0,385
80	81	85	90	90	T0220-0004080	T0220-0006080	0,545
100	100	104	100	100	T0220-0004100	T0220-0006100	0,790
125	125	129	187,5	187,5	T0220-0004125	T0220-0006125	-
150	150	154	225	225	T0220-0004150	T0220-0006150	-
200	200	204	300	300	T0220-0004200	T0220-0006200	-

CODO 90° SOLDAR/MANDRINAR
EXPANDING WELDING BEND 90°
COUDE 90° A SOUDER/DUDGEONNER

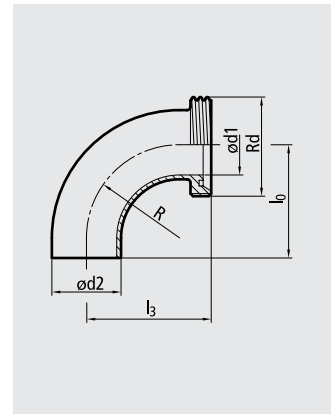
Según DIN 11852 (SERIE 2) Form BL-90
According to DIN 11852 (SERIES 2) Form BL-90
Selon DIN 11852 (SÉRIE 2) Form BL-90



DN	Ød1	Ød2	l ₁	l ₂	R	AISI 304	AISI 316L	kg
10	10	13	51	25	26	T0222-00030102	T0222-00060102	0,025
15	16	19	60	25	35	T0222-00030152	T0222-00060152	0,050
20	20	23	65	25	40	T0222-00030202	T0222-00060202	0,065
25	26	29	90	40	50	T0222-00030252	T0222-00060252	0,125
32	32	35	95	40	55	T0222-00030322	T0222-00060322	0,150
40	38	41	100	40	60	T0222-00030402	T0222-00060402	0,180
50	50	53	110	40	70	T0222-00030502	T0222-00060502	0,270
65	66	70	120	40	80	T0222-00030652	T0222-00060652	0,570
80	81	85	145	55	90	T0222-00030802	T0222-00060802	0,780
100	100	104	155	55	100	T0222-00031002	T0222-00061002	1,070
125	125	129	245	57,3	187,7	T0222-00031252	T0222-00061252	-

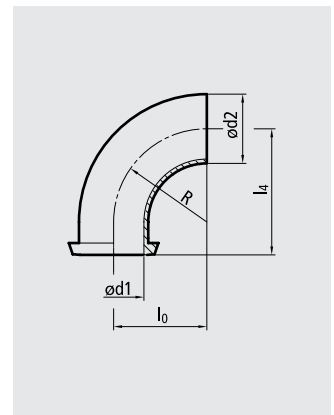
CODO 90° S/M
BEND 90° W/M
COUDE 90° S/M

DN	Ød1	Ød2	Rd	I ₀	I ₃	R	AISI 316L	kg
10	10	13	28x1/8"	26	43	26	T0220-01060102	-
15	16	19	34x1/8"	35	52	35	T0220-01060152	-
20	20	23	44x1/6"	40	59	40	T0220-01060202	-
25	26	29	52x1/6"	50	72	50	T0220-01060252	-
32	32	35	58x1/6"	55	77	55	T0220-01060322	-
40	38	41	65x1/6"	60	82	60	T0220-01060402	-
50	50	53	78x1/6"	70	93	70	T0220-01060502	-
65	66	70	95x1/6"	80	105	80	T0220-0106065	-
80	81	85	110x1/4"	90	115	90	T0220-0106080	-
100	100	104	130x1/4"	100	130	100	T0220-0106100	-



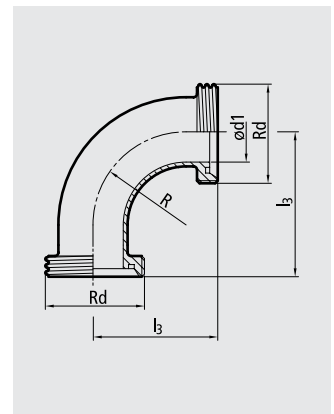
CODO 90° S/T
BEND 90° W/N
COUDE 90° S/E

DN	Ød1	Ød2	I ₀	I ₄	R	AISI 316L	kg
10	10	13	26	39	26	T0220-07060102	-
15	16	19	35	48	35	T0220-07060152	-
20	20	23	40	53	40	T0220-07060202	-
25	26	29	50	65	50	T0220-07060252	-
32	32	35	55	70	55	T0220-07060322	-
40	38	41	60	75	60	T0220-07060402	-
50	50	53	70	86	70	T0220-0706050	-
65	66	70	80	97	80	T0220-0706065	-
80	81	85	90	107	90	T0220-0706080	-
100	100	104	100	120	100	T0220-0706100	-

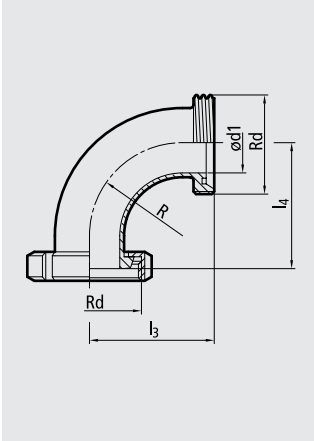


CODO 90° M/M
BEND 90° M/M
COUDE 90° M/M

DN	Ød1	Rd	I ₃	R	AISI 316L	kg
10	10	28x1/8"	43	26	T0220-11060102	-
15	16	34x1/8"	52	35	T0220-11060152	-
20	20	44x1/6"	59	40	T0220-11060202	-
25	26	52x1/6"	72	50	T0220-11060252	-
32	32	58x1/6"	77	55	T0220-11060322	-
40	38	65x1/6"	82	60	T0220-11060402	-
50	50	78x1/6"	93	70	T0220-11060502	-
65	66	95x1/6"	105	80	T0220-1106065	-
80	81	110x1/4"	115	90	T0220-1106080	-
100	100	130x1/4"	130	100	T0220-1106100	-

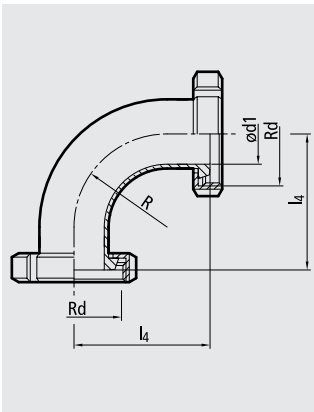


CODO 90° M/T
BEND 90° M/N
COUDE 90° M/E



DN	Ød1	Rd	I ₃	I ₄	R	AISI 316L	kg
10	10	28x1/8"	43	39	26	T0220-13060102	-
15	16	34x1/8"	52	48	35	T0220-13060152	-
20	20	44x1/6"	59	53	40	T0220-13060202	-
25	26	52x1/6"	72	65	50	T0220-13060252	-
32	32	58x1/6"	77	70	55	T0220-13060322	-
40	38	65x1/6"	82	75	60	T0220-13060402	-
50	50	78x1/6"	93	86	70	T0220-13060502	-
65	66	95x1/6"	105	97	80	T0220-1306065	-
80	81	110x1/4"	115	107	90	T0220-1306080	-
100	100	130x1/4"	130	120	100	T0220-1306100	-

CODO 90° T/T
BEND 90° N/N
COUDE 90° E/E



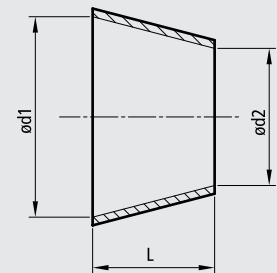
DN	Ød1	Rd	I ₄	R	AISI 316L	kg
10	10	28x1/8"	39	26	T0220-33060102	-
15	16	34x1/8"	48	35	T0220-33060152	-
20	20	44x1/6"	53	40	T0220-33060202	-
25	26	52x1/6"	65	50	T0220-33060252	-
32	32	58x1/6"	70	55	T0220-33060322	-
40	38	65x1/6"	75	60	T0220-33060402	-
50	50	78x1/6"	86	70	T0220-33060502	-
65	66	95x1/6"	97	80	T0220-3306065	-
80	81	110x1/4"	107	90	T0220-3306080	-
100	100	130x1/4"	120	100	T0220-3306100	-

REDUCCION CONCÉNTRICA SOLDAR
 WELDING CONCENTRIC REDUCER
 REDUCTION CONCENTRIQUE A SOUDER

Según DIN 11852 (SERIE 2) Form RK
 According to DIN 11852 (SERIES 2) Form RK
 Selon DIN 11852 (SÉRIE 2) Form RK

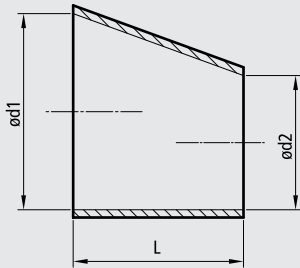
DN	Ød1	Ød2	L	AISI 316L	kg
15-10	16	10	11	T0501-0006015	0,006
20-15	20	16	7	T0501-0006020	0,010
25-15	26	16	18	T0502-0006025	0,024
25-20	26	20	11	T0501-0006025	0,025
32-20	32	20	22	T0502-0006032	0,035
32-25	32	26	11	T0501-0006032	0,037
40-20	38	20	33	T0503-0006040	0,045
40-25	38	26	22	T0502-0006040	0,040
40-32	38	32	11	T0501-0006040	0,045
50-25	50	26	44	T0503-0006050	0,074
50-32	50	32	33	T0502-0006050	0,078
50-40	50	38	22	T0501-0006050	0,040
65-32*	66	32	63	T0503-0006065	0,200
65-40	66	38	51	T0502-0006065	0,125
65-50	66	50	29	T0501-0006065	0,080
80-40*	81	38	80	T0503-0006080	0,225
80-50	81	50	56	T0502-0006080	-
80-65	81	66	27	T0501-0006080	-
100-50*	100	50	93	T0503-0006100	-
100-65	100	66	61	T0502-0006100	-
100-80	100	81	35	T0501-0006100	-

* No estándar
 Nonstandard
 No standard



REDUCCION EXCÉNTRICA SOLDAR
WELDING EXCENTRIC REDUCER
REDUCTION EXCENTRIQUE A SOUDER

Según DIN 11852 (SERIE 2) Form RE
According to DIN 11852 (SERIES 2) Form RE
Selon DIN 11852 (SÉRIE 2) Form RE

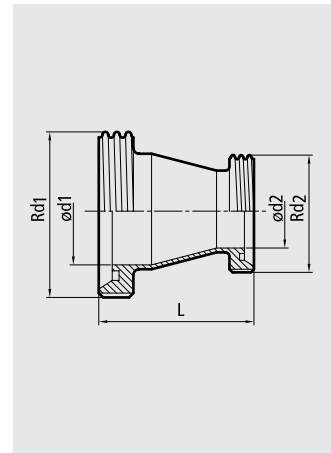


DN	$\varnothing d1$	$\varnothing d2$	L	AISI 316L	kg
15 -10	16	10	16,5	T0551-0006015	0,007
20-15	20	16	11	T0551-0006020	0,021
25-15	26	16	27,5	T0552-0006025	0,026
25-20	26	20	16,5	T0551-0006025	0,014
32-20	32	20	33	T0552-0006032	0,025
32-25	32	26	16,5	T0551-0006032	0,020
40-20*	38	20	49	T0553-0006040	0,043
40-25	38	26	33	T0552-0006040	0,031
40-32	38	32	16,5	T0551-0006040	0,026
50-25*	50	26	68	T0553-0006050	0,065
50-32*	50	32	50	T0552-0006050	0,057
50-40	50	38	33	T0551-0006050	0,066
65-32*	66	32	93,5	T0553-0006065	0,120
65-40*	66	38	77	T0552-0006065	0,150
65-50	66	50	44	T0551-0006065	0,145
80-40*	81	38	118	T0553-0006080	0,250
80-50*	81	50	85	T0552-0006080	0,220
80-65	81	66	41,2	T0551-0006080	0,105
100-50*	100	50	137	T0553-0006100	0,575
100-65*	100	66	93,5	T0552-0006100	0,180
100-80	100	81	52,5	T0551-0006100	0,163
125-100	125	100	68,5	T0551-0006125	-
150-100*	150	100	137	T0552-0006150	-
150-125	150	125	68,5	T0551-0006150	-

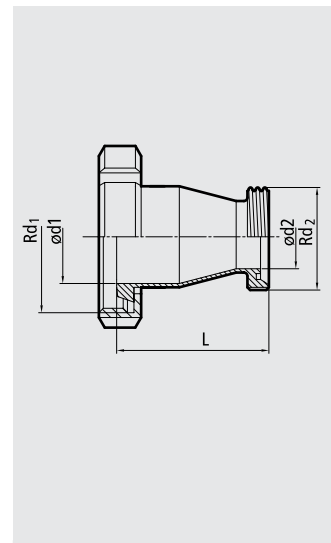
* No estándar
Nonstandard
No standard

REDUCCION CONCÉNTRICA M/M
CONCENTRIC REDUCER M/M
REDUCTION CONCENTRIQUE M/M

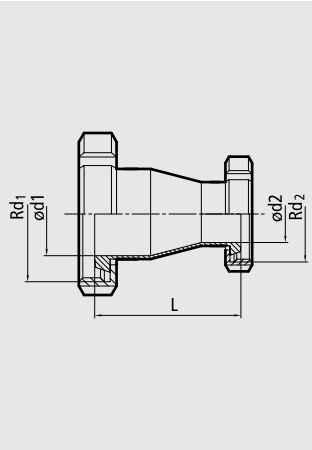
DN	Ød1	Ød2	Rd ₁	Rd ₂	L	AISI 316L	kg
32-25	32	26	58x1/6"	52x1/6"	55	T0501-1106032	-
40-25	38	26	65x1/6"	52x1/6"	66	T0502-1106040	-
40-32	38	32	65x1/6"	58x1/6"	55	T0501-1106040	-
50-32	50	32	78x1/6"	58x1/6"	78	T0502-1106050	-
50-40	50	38	78x1/6"	65x1/6"	67	T0501-1106050	-
65-40	66	38	95x1/6"	65x1/6"	98	T0502-1106065	-
65-50	66	50	95x1/6"	78x1/6"	77	T0501-1106065	-
80-50	81	50	110x1/4"	78x1/6"	104	T0502-1106080	-
80-65	81	66	110x1/4"	95x1/6"	77	T0501-1106080	-
100-65	100	66	130x1/4"	95x1/6"	116	T0502-1106100	-
100-80	100	81	130x1/4"	110x1/6"	90	T0501-1106100	-


REDUCCION CONCÉNTRICA T/M
CONCENTRIC REDUCER N/M
REDUCTION CONCENTRIC M/F

DN	Ød1	Ød2	Rd ₁	Rd ₂	L	AISI 316L	kg
32-25	32	26	58x1/6"	52x1/6"	48	T0501-3106032	-
40-25	38	26	65x1/6"	52x1/6"	59	T0502-3106040	-
40-32	38	32	65x1/6"	58x1/6"	48	T0501-3106040	-
50-32	50	32	78x1/6"	58x1/6"	71	T0502-3106050	-
50-40	50	38	78x1/6"	65x1/6"	60	T0501-3106050	-
65-40	66	38	95x1/6"	65x1/6"	90	T0502-3106065	-
65-50	66	50	95x1/6"	78x1/6"	69	T0501-3106065	-
80-50	81	50	110x1/4"	78x1/6"	96	T0502-3106080	-
80-65	81	66	110x1/4"	95x1/6"	69	T0501-3106080	-
100-65	100	66	130x1/4"	95x1/6"	106	T0502-3106100	-
100-80	100	81	130x1/4"	110x1/4"	80	T0501-3106100	-

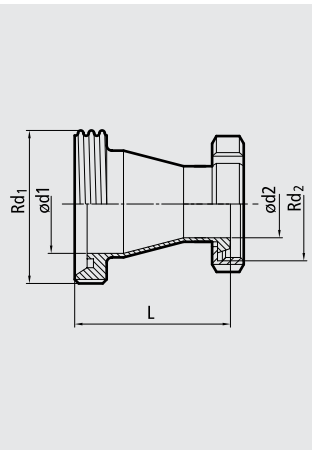


REDUCCION CONCENTRICA T/T
 CONCENTRIC REDUCER N/N
 REDUCTION CONCENTRIQUE F/F



DN	Ød1	Ød2	Rd ₁	Rd ₂	L	AISI 316L	kg
32-25	32	26	58x1/6"	52x1/6"	41	T0501-3306032	-
40-25	38	26	65x1/6"	52x1/6"	52	T0502-3306040	-
40-32	38	32	65x1/6"	58x1/6"	41	T0501-3306040	-
50-32	50	32	78x1/6"	58x1/6"	64	T0502-3306050	-
50-40	50	38	78x1/6"	65x1/6"	53	T0501-3306050	-
65-40	66	38	95x1/6"	65x1/6"	83	T0502-3306065	-
65-50	66	50	95x1/6"	78x1/6"	62	T0501-3306065	-
80-50	81	50	110x1/4"	78x1/6"	89	T0501-3306080	-
80-65	81	66	110x1/4"	95x1/6"	61	T0502-3306080	-
100-65	100	66	130x1/4"	95x1/6"	98	T0502-3306100	-
100-80	100	81	130x1/4"	110x1/4"	72	T0501-3306100	-

REDUCCION CONCENTRICA M/T
 CONCENTRIC REDUCER M/N
 REDUCTION CONCENTRIQUE M/F

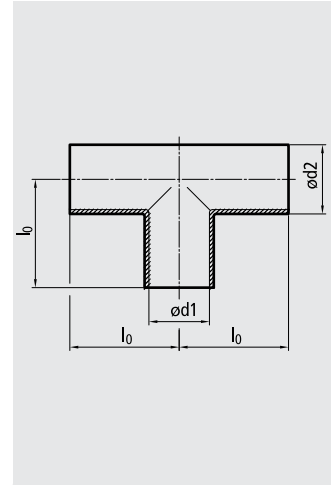


DN	Ød1	Ød2	Rd ₁	Rd ₂	L	AISI 316L	kg
32-25	32	26	58x1/6"	52x1/6"	48	T0501-1306032	-
40-25	38	26	65x1/6"	52x1/6"	59	T0502-1306040	-
40-32	38	32	65x1/6"	58x1/6"	48	T0501-1306040	-
50-32	50	32	78x1/6"	58x1/6"	71	T0502-1306050	-
50-40	50	38	78x1/6"	65x1/6"	60	T0501-1306050	-
65-40	66	38	95x1/6"	65x1/6"	91	T0502-1306065	-
65-50	66	50	95x1/6"	78x1/6"	70	T0501-1306065	-
80-50	81	50	110x1/4"	78x1/6"	97	T0502-1306080	-
80-65	81	66	110x1/4"	95x1/6"	69	T0501-1306080	-
100-65	100	66	130x1/4"	95x1/6"	108	T0502-1306100	-
100-80	100	81	130x1/4"	110x1/4"	82	T0501-1306100	-

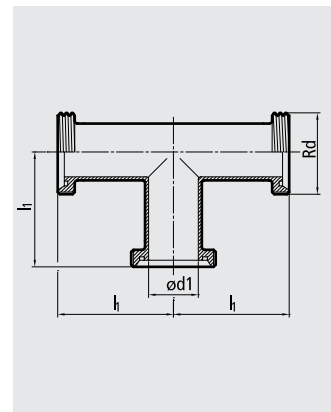
**TE SOLDAR
WELDING TEE
TE A SOUDER**

 Según DIN 11852 (SERIE 2) Form TS
 According to DIN 11852 (SERIE 2) Form TS
 Selon DIN 11852 (SÉRIE 2) Form TS

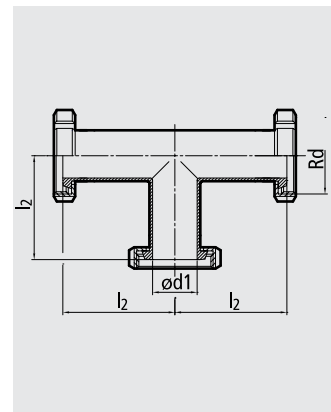
DN	Ød1	Ød2	l ₀	AISI 304	AISI 316L	kg
10	10	13	26	T0300-00030102	T0300-00060102	0,025
15	16	19	35	T0300-00030152	T0300-00060152	0,055
20	20	23	40	T0300-00030202	T0300-00060202	0,075
25	26	29	50	T0300-00030252	T0300-00060252	0,115
32	32	35	55	T0300-00030322	T0300-00060322	0,160
40	38	41	60	T0300-00030402	T0300-00060402	0,210
50	50	53	70	T0300-00030502	T0300-00060502	0,305
65	66	70	80	T0300-0004065	T0300-0006065	0,600
80	81	85	90	T0300-0004080	T0300-0006080	0,805
100	100	104	100	T0300-0004100	T0300-0006100	1,130
125	125	129	187,5	T0300-0004125	T0300-0006120	-
150	150	154	225	T0300-0004150	T0300-0006150	-


**TE M/M/M
TEE M/M/M
TE M/M/M**

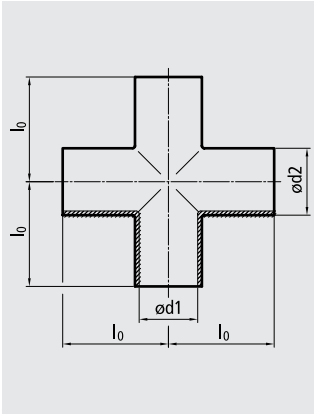
DN	Ød1	Rd	l ₁	AISI 316L	kg
10	10	28x1/8"	43	T0300-11060102	-
15	16	34x1/8"	52	T0300-11060152	-
20	20	44x1/6"	59	T0300-11060202	-
25	26	52x1/6"	72	T0300-11060252	-
32	32	58x1/6"	77	T0300-11060322	-
40	38	65x1/6"	82	T0300-11060402	-
50	50	78x1/6"	93	T0300-11060502	-
65	66	95x1/6"	105	T0300-1106065	-
80	81	110x1/4"	115	T0300-1106080	-
100	100	130x1/4"	130	T0300-1106100	-


**TE T/T/T
TEE N/N/N
TE F/F/F**

DN	Ød1	Rd	l ₂	AISI 316L	kg
10	10	28x1/8"	39	T0300-33060102	-
15	16	34x1/8"	48	T0300-33060152	-
20	20	44x1/6"	53	T0300-33060202	-
25	26	52x1/6"	65	T0300-33060252	-
32	32	58x1/6"	70	T0300-33060322	-
40	38	65x1/6"	75	T0300-33060402	-
50	50	78x1/6"	86	T0300-33060502	-
65	66	95x1/6"	97	T0300-3306065	-
80	81	110x1/4"	107	T0300-3306080	-
100	100	130x1/4"	120	T0300-3306100	-

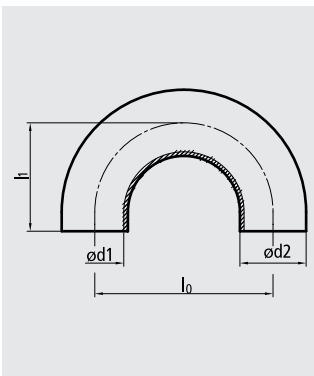


CRUZ SOLDAR
WELDING CROSS
CROIX A SOUDER



DN	Ød1	Ød2	l_0	AISI 316L	kg
10	10	13	26	T0400-00060102	-
15	16	19	35	T0400-00060152	-
20	20	23	40	T0400-00060202	-
25	26	29	50	T0400-00060252	-
32	32	35	55	T0400-00060322	-
40	38	41	60	T0400-00060402	0,282
50	50	53	70	T0400-00060502	0,417
65	66	70	80	T0400-0006065	0,706
80	81	85	90	T0400-0006080	---
100	100	104	100	T0400-0006100	1,245

CURVA 180° SOLDAR
WELDING BEND 180°
COUDE 180° SOUDER/DUDGEONNER



DN	Ød1	Ød2	l_0	l_1	AISI 304	AISI 316L	kg
10	10	13	52	26	---	T0230-00060102	-
15	16	19	70	35	---	T0230-00060152	-
20	20	23	80	40	---	T0230-00060202	-
25	26	29	100	50	T0230-00030252	T0230-00060252	0,141
32	32	35	110	55	T0230-00030322	T0230-00060322	0,210
40	38	41	120	60	T0230-00030402	T0230-00060402	0,243
50	50	53	140	70	T0230-00030502	T0230-00060502	-
65	66	70	160	80	T0230-0004065	T0230-0006065	-
80	81	85	180	90	T0230-0004080	T0230-0006080	-

Según DIN 11852 (SERIE 2) Form BS-180
According to DIN 11852 (SERIES 2) Form BS-180
Selon DIN 11852 (SÉRIE 2) Form BS-180

RACORDS PARA TUBO SANITARIO DIN 11850 (SERIE 2) UNIONS FOR DIN 11850 (SERIES 2) SANITARY TUBE MONTAGE POUR TUBE SANITAIRE DIN 11850 (SÉRIE 2)

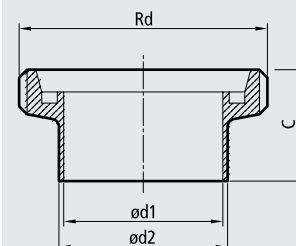
DIN 11850 (SERIES 2)

17

MACHO SOLDAR (serie 2)
WELDING MALE (series 2)
NEZ FILETE A SOUDER (série2)

Según DIN 11851 (SERIE 2) Form SC
According to DIN 11851 (SERIES 2) Form SC
Selon DIN 11851 (SÉRIE 2) Form SC

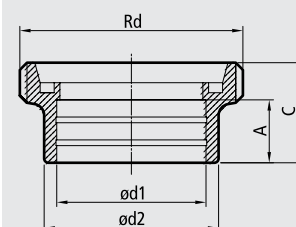
DN	Ød1	Ød2	Rd	C	AISI 304L	AISI 316L	kg
10	10	13	28x1/8"	21	R0013-004010	R0013-006010	0,033
15	16	19	34x1/8"	21	R0013-004015	R0013-006015	0,047
20	20	23	44x1/6"	24	R0013-004020	R0013-006020	0,086
25	26	29	52x1/6"	29	R0013-004025	R0013-006025	0,114
32	32	35	58x1/6"	32	R0013-004032	R0013-006032	0,129
40	38	41	65x1/6"	33	R0013-004040	R0013-006040	0,161
50	50	53	78x1/6"	35	R0013-004050	R0013-006050	0,218
65	66	70	95x1/6"	40	R0013-004065	R0013-006065	0,343
80	81	85	110x1/4"	45	R0013-004080	R0013-006080	0,506
100	100	104	130x1/4"	54	R0013-004100	R0013-006100	0,626
125	125	129	160x1/4"	46	R0013-004125	R0013-006125	0,960
150	150	154	190x1/4"	50	R0013-004150	R0013-006150	1,800



MACHO MANDRINAR
EXPANDING MALE
NEZ FILETE À DUDGEONNER

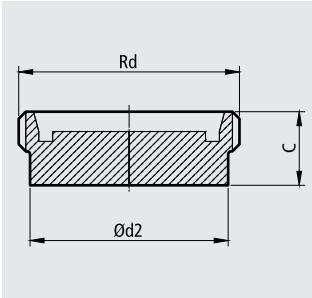
Segons DIN 11851 Form C
According to DIN 11851 Form C
Selon DIN 11851 Form C

DN	Ød1	Ød2	Rd	A	C	AISI 304L	AISI 316L	kg
10	12,2	18	28x1/8"	12	21	R0012-004010	R0012-006010	0,037
15	18,2	24	34x1/8"	12	21	R0012-004015	R0012-006015	0,050
20	22,2	30	44x1/6"	12	24	R0012-004020	R0012-006020	0,100
25	28,2	35	52x1/6"	15	29	R0012-004025	R0012-006025	0,130
32	34,2	41	58x1/6"	18	32	R0012-004032	R0012-006032	0,162
40	40,2	48	65x1/6"	20	33	R0012-004040	R0012-006040	0,210
50	52,2	61	78x1/6"	22	35	R0012-004050	R0012-006050	0,303
65	70,3	79	95x1/6"	25	40	R0012-004065	R0012-006065	0,446
80	85,3	93	110x1/4"	28	45	R0012-004080	R0012-006080	0,598
100	104,3	114	130x1/4"	35	54	R0012-004100	R0012-006100	0,884
125	129,4	137	160x1/4"	10	46	R0012-004125	R0012-006125	-
150	154,4	163	190x1/4"	12	50	R0012-004150	R0012-006150	-



* Consultar disponibilidad.
* Consult availability.
* Consulter disponibilité.

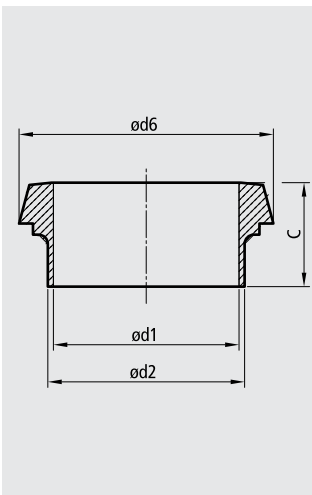
MACHO CIEGO
BLIND MALE
BOUCHON NEZ FILETE



DN	Ød2	Rd	C	AISI 304L	kg
25	44	52x1/6"	23	R0014-004025	-
32	50	58x1/6"	23	R0014-004032	-
40	58	65x1/6"	23	R0014-004040	-
50	70	78x1/6"	26	R0014-004050	-
65	88	95x1/6"	28	R0014-004065	-
80	100	110x1/4"	35	R0014-004080	-
100	120	130x1/4"	35	R0014-004100	-

CASQUILLO SOLDAR (serie 2)
WELDING LINER (series 2)
DOUILLE À SOUDER (série 2)

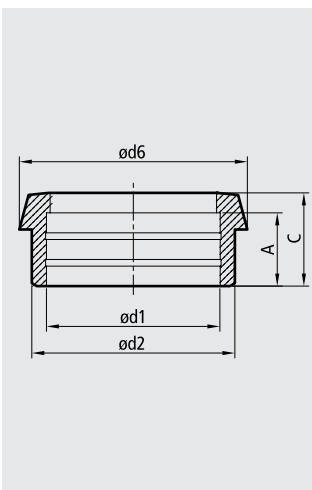
Según DIN 11851 (SERIE 2) Form SD
According to DIN 11851 (SERIES 2) Form SD
Selon DIN 11851 (SÉRIE 2) Form SD



DN	Ød1	Ød2	Ød6	C	AISI 304L	AISI 316L	kg
10	10	13	22,5	17	R0023-004010	R0023-006010	0,020
15	16	19	28,5	17	R0023-004015	R0023-006015	0,029
20	20	23	36,5	18	R0023-004020	R0023-006020	0,054
25	26	29	44	22	R0023-004025	R0023-006025	0,084
32	32	35	50	25	R0023-004032	R0023-006032	0,105
40	38	41	56	26	R0023-004040	R0023-006040	0,124
50	50	53	68,5	28	R0023-004050	R0023-006050	0,174
65	66	70	86	32	R0023-004065	R0023-006065	0,234
80	81	85	100	37	R0023-004080	R0023-006080	0,362
100	100	104	121	44	R0023-004100	R0023-006100	0,580
125	125	129	150	34	R0023-004125	R0023-006125	0,805
150	150	154	176	37	R0023-004150	R0023-006150	1,107

CASQUILLO MANDRINAR
EXPANDING LINER
DOUILLE À DUDGEONNER

Según DIN 11851 Form D
According to DIN 11851 Form D
Selon DIN 11851 Form D



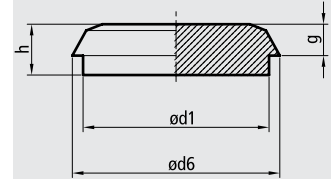
DN	Ød1	Ød2	Ød6	A	C	AISI 304L	AISI 316L	kg
10	12,2	18	22,5	12	17	-	R0020-206010	0,024
15	18,2	24	28,5	12	17	-	R0020-206015	0,034
20	22,2	30	36,5	12	18	-	R0020-206020	0,062
25	28,2	35	44	15	22	R0020-204025	R0020-206025	0,120
32	34,2	41	50	18	25	R0020-204032	R0020-206032	0,168
40	40,2	48	56	20	26	R0020-204040	R0020-206040	0,148
50	52,2	61	68,5	22	28	R0020-204050	R0020-206050	0,215
65	70,3	79	86	25	32	R0020-204065	R0020-206065	0,322
80	85,3	93	100	28	37	R0020-204080	R0020-206080	0,399
100	104,3	114	121	35	44	R0020-204100	R0020-206100	0,684
125	129,4	137	150	10	34	-	R0020-206125*	-
150	154,4	163	176	12	37	-	R0020-206150*	-

* Consultar disponibilidad.
* Consult availability.
* Consulter disponibilité.

**CASQUILLO CIEGO DIN
BLIND LINER DIN
BOUCHON DIN**

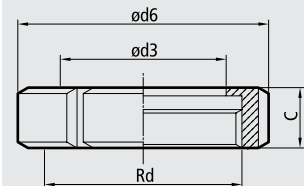
 Según DIN 11851 Form D
According to DIN 11851 Form D
Selon DIN 11851 Form D

DN	Ød1	Ød6	g	h	AISI 314L	AISI 316L	kg
10	18	22,5	6	9	-	R0024-006010	-
15	24	28,5	6	9	-	R0024-006015	-
20	30	36,5	8	11	R0024-004020	R0024-006020	-
25	35	44	10	13	R0024-004025	R0024-006025	-
32	41	50	10	13	R0024-004032	R0024-006032	-
40	48	56	10	13	-	R0024-006040	-
50	61	68,5	11	14	-	R0024-006050	-
65	79	86	12	16	R0024-004065	R0024-006065	-
80	93	100	12	16	-	R0024-006080	-
100	114	121	15	20	-	R0024-006100	-
125	137	150	17	22	R0024-004125	R0024-006125	-
150	163	176	18	24	-	-	-

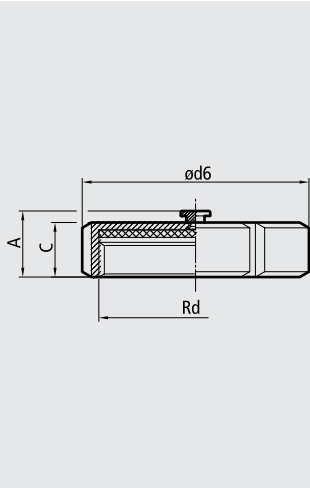

**TUERCA
NUT
ECROU**

 Según DIN 11851 Form F
According to DIN 11851 Form F
Selon DIN 11851 Form F

DN	Ød3	Ød6	Rd	C	AISI 304	kg
10	19	38	28x1/8"	18	R0030-004010	0,075
15	25	44	34x1/8"	18	R0030-004015	0,085
20	31	54	44x1/6"	20	R0030-004020	0,119
25	36	63	52x1/6"	21	R0030-004025	0,170
32	42	70	58x1/6"	21	R0030-004032	0,205
40	49	78	65x1/6"	21	R0030-004040	0,240
50	62	92	78x1/6"	22	R0030-004050	0,325
65	80	112	95x1/6"	25	R0030-004065	0,456
80	94	127	110x1/4"	29	R0030-004080	0,623
100	115	148	130x1/4"	31	R0030-004100	0,735
125	138	178	160x1/4"	35	R0030-004125	0,985
150	164	210	190x1/4"	40	R0030-004150	1,340

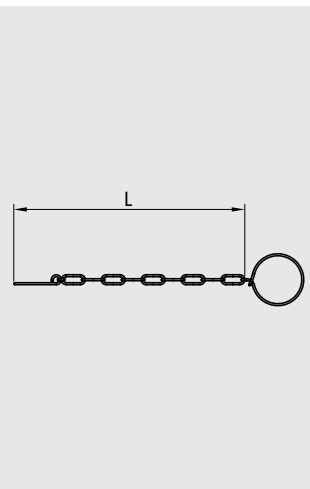


TUERCA CIEGA CON PIVOTE
BLIND NUT WITH BOSS
ECROU BOUCHON AVEC PIVOT



DN	Ød6	Rd	A	C	AISI 304	kg
10	38	28x1/8"	25	18	R0035-004010	0,085
15	44	34x1/8"	25	18	R0035-004015	0,100
20	54	44x1/6"	27	20	R0035-004020	0,160
25	63	52x1/6"	28	21	R0035-004025	0,205
32	70	58x1/6"	28	21	R0035-004032	0,240
40	78	65x1/6"	28	21	R0035-004040	0,290
50	92	78x1/6"	29	22	R0035-004050	0,405
65	112	95x1/6"	32	25	R0035-004065	0,635
80	127	110x1/4"	36	29	R0035-004080	0,950
100	148	130x1/4"	38	31	R0035-004100	1,315
125	178	160x1/4"	42	35	R0035-004125	2,015
150	210	190x1/4"	47	40	R0035-004150	2,920

CADENA
CHAIN
CHAINETTE

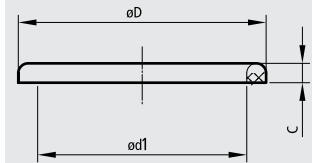


DN	L	AISI 304	kg
10	240	R0039-004010	0,015
15	240	R0039-004015	0,015
20	240	R0039-004020	0,015
25	240	R0039-004025	0,015
32	240	R0039-004032	0,015
40	240	R0039-004040	0,015
50	240	R0039-004050	0,015
65	240	R0039-004065	0,018
80	240	R0039-004080	0,020
100	290	R0039-004100	0,020
125	290	R0039-004125	0,020
150	290	R0039-004150	0,020

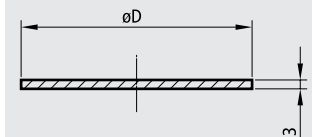
**JUNTA RACORD
UNION SEAL
JOINT RACCORD**

 Según DIN 11851 Form G
According to DIN 11851 Form G
Selon DIN 11851 Form G

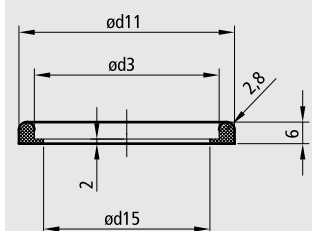
DN	ØD	Ød1	C	VMQ	FPM	NBR	EPDM	PTFE	kg
10	20	12	4	R0060-060010	R0060-080010	R0060-040010	R0060-050010	R0060-070010	0,001
15	26	18	4	R0060-060015	R0060-080015	R0060-040015	R0060-050015	R0060-070015	0,001
20	33	23	4	R0060-060020	R0060-080020	R0060-040020	R0060-050020	R0060-070020	0,002
25	40	30	5	R0060-060025	R0060-080025	R0060-040025	R0060-050025	R0060-070025	0,003
32	46	36	5	R0060-060032	R0060-080032	R0060-040032	R0060-050032	R0060-070032	0,004
40	52	42	5	R0060-060040	R0060-080040	R0060-040040	R0060-050040	R0060-070040	0,004
50	64	54	5	R0060-060050	R0060-080050	R0060-040050	R0060-050050	R0060-070050	0,005
65	81	71	5	R0060-060065	R0060-080065	R0060-040060	R0060-050065	R0060-070065	0,007
80	95	85	5	R0060-060080	R0060-080080	R0060-040065	R0060-050080	R0060-070080	0,007
100	114	104	5	R0060-060100	R0060-080100	R0060-040080	R0060-050100	R0060-070100	0,012
125	142	130	7	R0060-060125	R0060-080125	R0060-040100	R0060-050125	R0060-070125	0,020
150	167	155	7	R0060-060150	R0060-080150	R0060-040125	R0060-050150	R0060-070150	0,022


**JUNTA PLANA TUERCA CIEGA
BLIND NUT FLAT SEAL
JOINT PLAT ECROU BOUCH**

DN	ØD	VMQ	FPM	NBR	EPDM	kg
10	28	R0064-060010	R0064-080010	R0064-040010	R0064-050010	0,003
15	34	R0064-060015	R0064-080015	R0064-040015	R0064-050015	0,004
20	44	R0064-060020	R0064-080020	R0064-040020	R0064-050020	0,007
25	52	R0064-060025	R0064-080025	R0064-040025	R0064-050025	0,010
32	58	R0064-060032	R0064-080032	R0064-040032	R0064-050032	0,012
40	65	R0064-060040	R0064-080040	R0064-040040	R0064-050040	0,012
50	78	R0064-060050	R0064-080050	R0064-040050	R0064-050050	0,018
65	95	R0064-060065	R0064-080065	R0064-040065	R0064-050065	0,024
80	110	R0064-060080	R0064-080080	R0064-040080	R0064-050080	0,046
100	130	R0064-060100	R0064-080100	R0064-040100	R0064-050100	0,059
125	160	R0064-060125	R0064-080125	R0064-040125	R0064-050125	0,072
150	190	R0064-060150	R0064-080150	R0064-040150	R0064-050150	0,095


**JUNTA RACORD CON LABIO
UNION SEAL WITH LIP
JOINT RACCORD AVEC LÈVRE**

DN	Ød3	Ød11	Ød15	VMQ	FPM	NBR	EPDM	kg
25	30	40	26,5	R0061-060025	R0061-080025	R0061-040025	R0061-050025	-
32	36	46	32,5	R0061-060032	R0061-080040	R0061-040032	R0061-050032	-
40	42	52	38,5	R0061-060040	R0061-080050	R0061-040040	R0061-050040	-
50	54	64	50,5	R0061-060050	R0061-080065	R0061-040050	R0061-050050	-
65	71	81	66,5	R0061-060065	R0061-080080	R0061-040065	R0061-050065	-
80	85	95	81,5	R0061-060080	R0061-080100	R0061-040080	R0061-050080	-
100	104	114	100,5	R0061-060100	R0061-080025	R0061-040100	R0061-050100	-
125	130	142	125	R0061-060125	-	-	R0061-050125	-
150	155	167	150	R0061-060150	-	-	R0061-050150	-



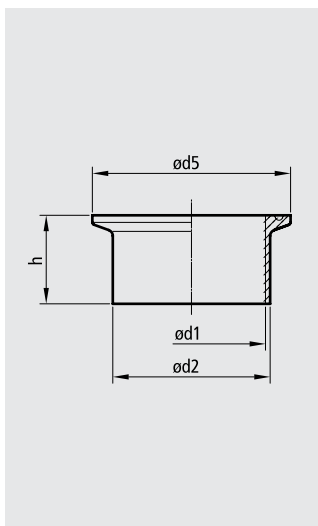
RACORES CLAMP PARA TUBO SANITARIO DIN 11850 (SERIE 2) CLAMP UNIONS FOR DIN 11850 (SERIES 2) SANITARY TUBE RACCORDS CLAMP POUR TUBE SANITAIRE DIN 11850 (SERIES 2)

22

DIN 11850 (SERIES 2)

CASQUILLO CLAMP SOLDAR
WELDING CLAMP FERRULE
FERRULE CLAMP À SOUDER

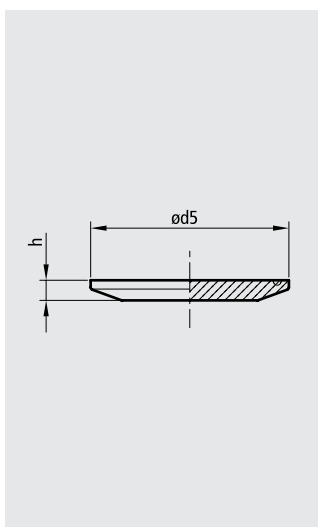
Según DIN 32676 Form KK
According to DIN 32676 Form KK
selon DIN 32676 Form KK



DN	Ød1	Ød2	Ød5	h	AISI 316L	kg
10	13	10	34	18	R0710-006010	0,034
15	19	16	34	18	R0710-006015	0,031
20	23	20	34	18	R0710-006020	0,030
25	29	26	50,5	21,5	R0710-006025	0,070
32	35	32	50,5	21,5	R0710-006032	0,049
40	41	38	50,5	21,5	R0710-006040	0,049
50	53	50	64	21,5	R0710-006050	0,068
65	70	66	91	28	R0710-006065	0,188
80	85	81	106	28	R0710-006080	0,228
100	104	100	119	28	R0710-006100	0,224
125	129	125	155	28	R0710-006125	-
150	154	150	183	28	R0710-006150	0,710
200	204	200	233,5	28	R0710-006200	0,927

CASQUILLO CIEGO CLAMP
BLIND CLAMP LINER
BOUCHON CLAMP

Según DIN 32676
According to DIN 32676
Selon DIN 32676

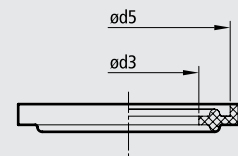


DN	Ød5	h	AISI 316L	kg
10	34	6,35	R0714-007020	0,032
15	34	6,35	R0714-007020	0,032
20	34	6,35	R0714-007020	0,032
25	50,5	6,35	R1714-006025	0,080
32	50,5	6,35	R1714-006025	0,080
40	50,5	6,35	R1714-006025	0,080
50	64	6,35	R0714-007050	0,135
65	91	6,35	R0714-007065	0,290
80	106	6,35	R0714-006080	0,407
100	119	8	R0714-007100	0,603
125	155	8	---	-
150	183	14	R0714-007150	-
200	233,5	14	R1714-006219	-

JUNTA RACORD CLAMP CON LAVIO
 CLAMP UNION SEAL WITH LIP
 JOINT RACCORD CLAMP AVEC LÈVRE

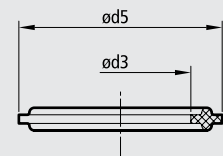
Según DIN 32676
 According to DIN 32676
 Selon DIN 32676

DN	Ød3	Ød5	VMQ	FPM	NBR	EPDM	kg
10	34	10,2	R0760-060010	R0760-078010	R0760-040010	R0760-050010	-
15	34	16,2	R0760-060015	---	R0760-040015	R0760-050015	-
20	34	20,2	R0760-060020	---	R0760-040020	R0760-050020	-
25	50,5	26,2	R0760-060025	R0760-078025	R0760-040025	R0760-050025	-
32	50,5	32,2	R0760-060032	R0760-078032	R0760-040032	R0760-050032	0,009
40	50,5	38,2	R0760-060040	R0760-078040	R0760-040040	R0760-050040	-
50	64	50,2	R0760-060050	R0760-078050	R0760-040050	R0760-050050	-
65	91	66,2	R0760-060065	R0760-078065	R0760-040065	R0760-050065	-
80	106	81,2	R0760-060080	R0760-078080	R0760-040080	R0760-050080	0,022
100	119	100,2	R0760-060100	R0760-078100	R0760-040100	R0760-050100	-
125	155	125,2	R0760-061125	R0760-080125	---	R0760-050125	0,043
150	183	150,2	R0760-060150	R0760-080150	---	R0760-050150	-
200	233,5	200,2	R0760-060200	R0760-080200	---	R0760-050200	-

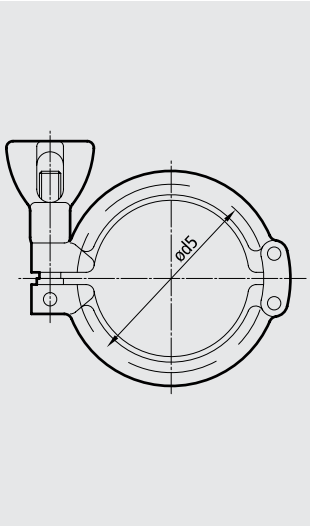


JUNTA RACORD CLAMP
 CLAMP UNION SEAL
 JOINT RACCORD CLAMP

DN	Ød3	Ød5	PTFE	kg
10	34	10,2	R0760-070010	-
15	34	16,2	R0760-070015	-
20	34	20,2	R0760-070020	0,005
25	50,5	26,2	R0760-070025	0,008
32	50,5	32,2	R0760-070032	0,007
40	50,5	38,2	R0760-070040	0,004
50	64	50,2	R0760-070050	-
65	91	66,2	R0760-070065	-
80	106	81,2	R0760-070080	0,019
100	119	100,2	R0760-070100	-
125	155	125,2	R0760-070125	-
150	183	150,2	R0760-070150	0,035



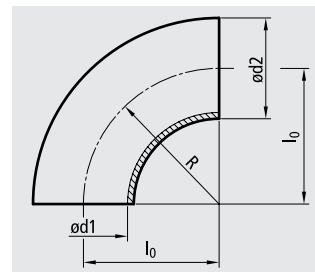
ABRAZADERA CLAMP
CLAMP
COLLIER CLAMP



DN	Ød5	AISI 304L	kg
10	34		
15	34	R0720-004010	0,183
20	34		
25	50,5		
32	50,5	R0720-004025	0,215
40	50,5		
50	64	R0720-004050	0,300
65	91	R0720-004065	0,375
80	106	R0720-004080	0,377
100	119	R0720-004100	0,460
125	155	R0720-004140	1,344
150	183	R0720-0003150	1,420
200	233,5	R0720-004219	2,222

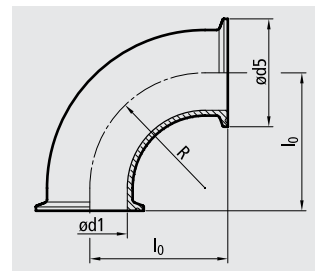
CODO 90° SOLDAR
 WELDING BEND 90°
 COUDE 90° A SOUDER

DN	Ød1	Ød2	l ₀	R	AISI 316L	kg
1"	22,1	25,4	38,1	38,1	T1220-0006025	0,060
1 ½"	34,8	38,1	57,2	57,2	T1220-0006040	0,130
2"	47,5	50,8	76,2	76,2	T1220-0006050	0,240
2 ½"	60,2	63,5	95,2	95,2	T1220-0006063	0,350
3"	72,9	76,2	114,2	114,2	T1220-0006076	0,540
4"	97,4	101,6	152,4	152,4	T1220-0006100	1,200



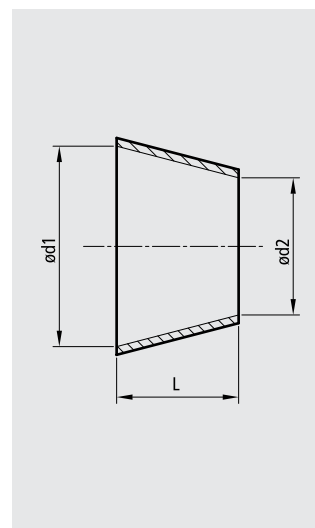
CODO 90° CL/CL/CL (Dimensiones según ASME)
 BEND 90° CL/CL/CL (Dimensions according to ASME)
 COUDE 90° CL/CL/CL (Dimensions selon ASME)

DN	Ød1	Ød5	l ₀	R	AISI 316L	kg
1"	22,1	50,5	50,8	38,1	T1220-7706025	0,180
1 ½"	34,8	50,5	69,9	57,2	T1220-7706040	0,200
2"	47,5	64	88,9	76,2	T1220-7706050	0,360
2 ½"	60,2	77,5	108	95,2	T1220-7706063	0,450
3"	72,9	91	127	114,2	T1220-7706076	0,700
4"	97,4	119	168,3	152,4	T1220-7706100	1,235



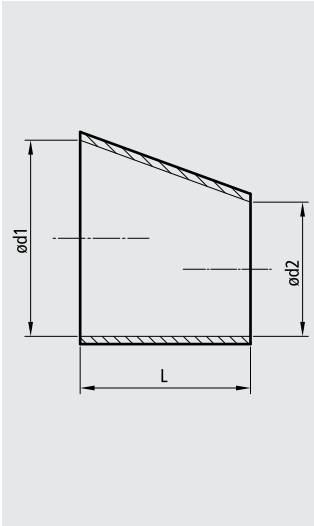
REDUCCION CONCÉNTRICA SOLDAR
 WELDING CONCENTRIC REDUCER
 REDUCTION CONCENTRIQUE A SOUDER

DN	Ød1	Ød2	L	AISI 316L	kg
1 ½"-1"	34,8	22,1	50,8	T1502-0006040	0,068
2"-1"	47,5	22,1	101,6	T1503-0006050	0,158
2"-1 ½"	47,5	34,8	50,8	T1501-0006050	0,087
2 ½"-1"	60,2	22,1	152,4	T1504-0006063	0,316
2 ½"-1 ½"	60,2	34,8	101,6	T1502-0006063	0,225
2 ½"-2"	60,2	47,5	50,8	T1501-0006063	0,130
3"-1"	72,9	22,1	203,2	T1505-0006076	0,435
3"-1 ½"	72,9	34,8	152,4	T1503-0006076	0,336
3"-2"	72,9	47,5	101,6	T1502-0006076	0,257
3"-2 ½"	72,9	60,2	50,8	T1501-0006076	0,150
4"-2"	97,4	47,5	203,2	T1503-0006100	0,800
4"-2 ½"	97,4	60,2	152,4	T1502-0006100	0,663
4"-3"	97,4	72,9	101,6	T1501-0006100	0,317



* Consultar disponibilidad.
 * Consult availability.
 * Consulter disponibilité.

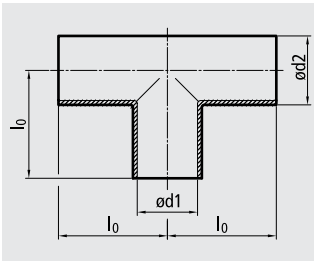
REDUCCION EXCÉNTRICA SOLDAR
WELDING EXCENTRIC REDUCER
REDUCTION EXCENTRIQUE A SOUDER



DN	Ød1	Ød2	L	AISI 316L	kg
1 ½"-1"	34,8	22,1	50,8	T1552-0006040	0,067
2"-1"	47,5	22,1	101,6	T1553-0006050	0,159
2"-1 ½"	47,5	34,8	50,8	T1551-0006050	0,140
2 ½"-1"	60,2	22,1	152,4	T1553-0006063	0,324
2 ½"-1 ½"	60,2	34,8	101,6	T1552-0006065	0,272
2 ½"-2"	60,2	47,5	50,8	T1551-0006065	0,135
3"-1"	72,9	22,1	203,2	T1555-0006076	0,459
3"-1 ½"	72,9	34,8	152,4	T1553-0006076	0,336
3"-2"	72,9	47,5	101,6	T1552-0006076	0,150
3"-2 ½"	72,9	60,2	50,8	T1551-0006076	0,115
4"-2"	97,4	47,5	203,2	T1553-0006100	0,800
4"-2 ½"	97,4	60,2	152,4	T1552-0006100	0,660
4"-3"	97,4	72,9	101,6	T1551-0006100	0,445

* Consultar disponibilidad.
* Consult availability.
* Consulter disponibilité.

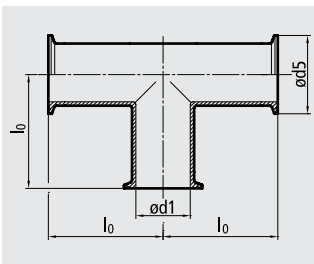
TE SOLDAR (Dimensiones según ASME)
WELDING TEE (Dimensions according to ASME)
TE A SOUDER (Dimensions selon ASME)



DN	Ød1	Ød2	l ₀	AISI 316L	kg
1"	22,1	25,4	54	T1300-0006025	0,130
1 ½"	34,8	38,1	60,3	T1300-0006040	0,220
2"	47,5	50,8	73	T1300-0006050	0,360
2 ½"	60,2	63,5	79,4	T1300-0006063	0,480
3"	72,9	76,2	85,7	T1300-0006076	0,630
4"	97,4	101,6	104,8	T1300-0006100	1,400

* Consultar disponibilidad.
* Consult availability.
* Consulter disponibilité.

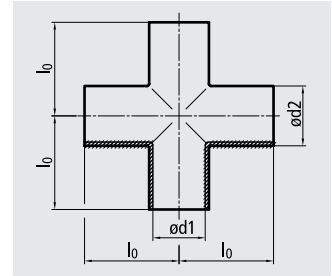
TE CL/CL/CL (Dimensiones según ASME)
TEE CL/CL/CL (Dimensions according to ASME)
TE CL/CL/CL (Dimensions selon ASME)



DN	Ød1	Ød5	l ₀	AISI 316L	kg
1"	22,1	50,5	66,7	T1300-7706025	0,310
1 ½"	34,8	50,5	73	T1300-7706040	0,315
2"	47,5	64	85,7	T1300-7706050	0,510
2 ½"	60,2	77,5	92,1	T1300-7706063	0,695
3"	72,9	91	98,4	T1300-7706076	0,880
4"	97,4	119	120,6	T1300-7706100	1,675

CRUZ SOLDAR (Dimensiones según ASME)
 WELDING CROSS (Dimensions according to ASME)
 CROIX A SOUDER (Dimensions selon ASME)

DN	Ød1	Ød2	l ₀	AISI 316L	kg
1"	22,1	25,4	54	T0400-0006100	0,120
1 1/2"	34,8	38,1	60,3	T1400-0006040	0,160
2"	47,5	50,8	73	T1400-0006050	0,430
2 1/2"	60,2	63,5	79,4	T1400-0006063	0,562
3"	72,9	76,2	85,7	T1400-0006076	0,700
4"	97,4	101,6	104,8	T1400-0006100	-



* Consultar disponibilidad.
 * Consult availability.
 * Consulter disponibilité.

RACORES CLAMP OD PARA TUBO SANITARIO ASME

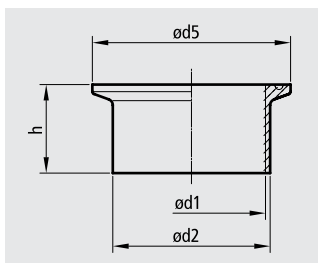
CLAMP OD UNIONS FOR ASME SANITARY TUBE

RACCORDS CLAMP OD POUR TUYAUTERIE SANITAIRE ASME

28

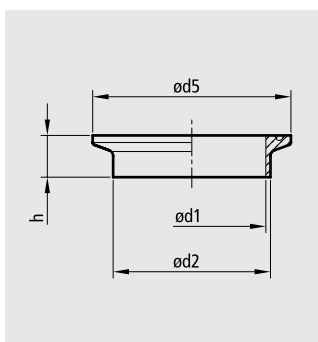
ASME OD

CASQUILLO CLAMP SOLDAR (Dimensiones según ASME)
 WELDING CLAMP FERRULE (Dimensions according to ASME)
 FERRULE CLAMP À SOUDER (Dimensions selon ASME)



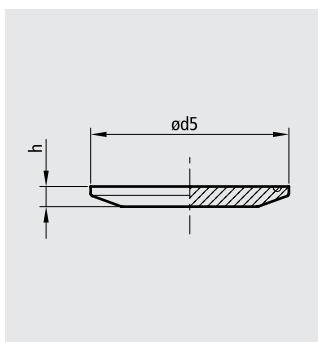
DN	Ød1	Ød2	Ød5	h	AISI 304L	AISI 316L	kg
1"	22,1	25,4	50,5	28,7	R1710-004025	R1710-007025	0,077
1½"	34,8	38,1	50,5	28,7	R1710-004040	R1710-007040	0,066
2"	47,5	50,8	64	28,7	R1710-004050	R1710-007050	0,093
2½"	60,2	63,5	77,5	28,7	R1710-004063	R1710-007063	0,115
3"	72,9	76,2	91	28,7	R1710-004076	R1710-007076	0,150
4"	97,4	101,6	119	28,7	R1710-004100	R1710-007100	0,250

CASQUILLO CLAMP SOLDAR CORTO (Dimensiones según ASME)
 SHORT WELDING CLAMP FERRULE (Dimensions according to ASME)
 FERRULE CLAMP À SOUDER COURTE (Dimensions selon ASME)



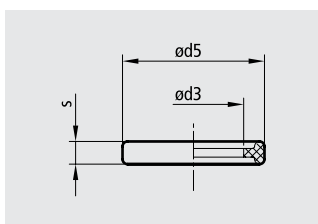
DN	Ød1	Ød2	Ød5	h	AISI 304L	AISI 316L	kg
½"	9,5	12,7	25,4	12,7	-	R1711-007015	0,015
¾"	15,8	19	25,4	12,7	-	R1711-007020	0,015
1"	22,1	25,4	50,5	12,7	R1711-004025	R1711-007025	0,067
1½"	34,8	38,1	50,5	12,7	R1711-004040	R1711-007040	0,044
2"	47,5	50,8	64	12,7	R1711-004050	R1711-007050	0,060
2½"	60,2	63,5	77,5	12,7	R1711-004063	R1711-007063	0,082
3"	72,9	76,2	91	12,7	R1711-004076	R1711-007076	0,105
4"	97,4	101,6	119	15,9	R1711-004100	R1711-007100	0,180

CASQUILLO CIEGO CLAMP (Dimensiones según ASME)
 SOLID END CAP (Dimensions according to ASME)
 BOUCHON CLAMP (Dimensions selon ASME)



DN	Ød5	h	AISI 316L	kg
½"	25,4	4,7	R1714-007015	0,016
¾"	25,4	4,7	R1714-007015	0,016
1"	50,5	4,7	R1714-006025	0,080
1½"	50,5	6,4	R1714-006025	0,080
2"	64	6,4	R0714-007050	0,135
2½"	77,5	6,4	R1714-006063	0,205
3"	91	6,4	R0714-007065	0,290
4"	119	7,9	R0714-007100	0,603

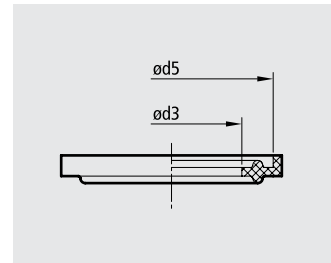
JUNTA RACORD CLAMP
 CLAMP UNION GASKET
 JOINT RACCORDE CLAMP



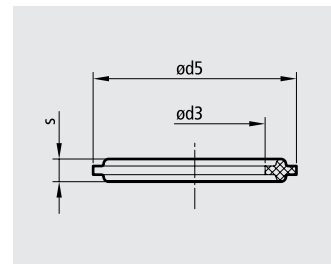
DN	Ød3	Ød5	S	VMQ	FPM	NBR	EPDM	PTFE	Kg
½"	9,6	21,8	4,5	R1760-060015	R1760-080015	R1760-040015	R1760-050015	R1768-070015	-
¾"	16	21,8	4,5	R1760-060020	R1760-080020	R1760-040020	R1760-050020	R1768-070020	-

JUNTA RACORD CLAMP CON LAVIO
CLAMP UNION SEAL WITH LIP
JOINT RACCORD CLAMP AVEC LÈVRE

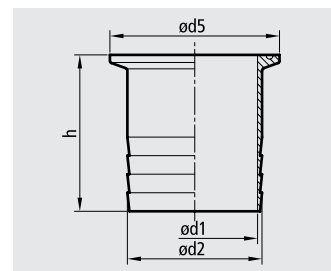
DN	Ød3	Ød5	VMQ	FPM	NBR	EPDM	kg
1"	22,8	50,5	R1760-070025	R1760-080025	R1760-040025	R1760-050025	0,006
1½"	35,8	50,5	R1760-070040	R1760-080040	R1760-040040	R1760-050040	0,004
2"	48,8	64	R1760-070050	R1760-080050	R1760-040050	R1760-050050	0,006
2½"	60,5	77,5	R1760-070063	R1760-080063	R1760-040063	R1760-050063	0,007
3"	73,1	91	R1760-070076	R1760-080076	R1760-040076	R1760-050076	0,009
4"	97,8	119	R1760-070100	R1760-080100	R1760-040100	R1760-050100	0,013


JUNTA RACORD CLAMP
CLAMP UNION GASKET
JOINT RACCORD CLAMP

DN	Ød3	Ød5	S	PTFE	kg
1"	22,8	50,5	5,5	R1768-070025	-
1½"	35,8	50,5	5,5	R1768-070040	-
2"	48,8	64	5,5	R1768-070050	-
2½"	60,5	77,5	5,5	R1768-070063	-
3"	73,1	91	5,5	R1768-070076	-
4"	97,8	119	5,5	R1768-070100	-


MANGUITO MANGUERA CLAMP
CLAMP HOSE ADAPTER
MANCHON POUR TUYAU FLEX.CLAMP

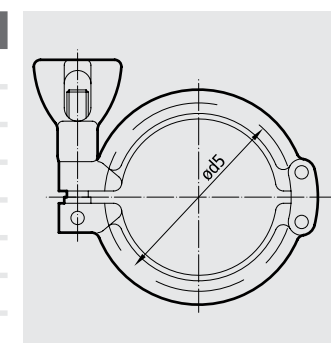
DN	Ød1	Ød2	Ød5	h	AISI 316L	kg
1"	22,1	26,2	50,5	42,9	T1610-7706025	0,099
1½"	34,8	39	50,5	42,9	T1610-7706040	0,095
2"	47,5	51,6	64	58,7	T1610-7706050	0,166
2½"	60,2	64,3	77,5	59,5	T1610-7706063	0,213
3"	72,9	77	91	78,6	T1610-7706076	0,319
4"	97,4	102,5	119	86,5	T1610-7706100	0,587



* Consultar disponibilidad.
 * Consult availability.
 * Consulter disponibilité.

ABRAZADERA
CLAMP
COLLIER CLAMP

DN	Ød5	AISI 304	kg
½"	28	R0720-004015	0,150
¾"	28	R0720-004015	0,150
1"	53,6	R0720-004025	0,215
1½"	53,6	R0720-004025	0,215
2"	67	R0720-004050	0,300
2½"	80,6	R0720-004063	0,320
3"	94	R0720-004065	0,410
4"	122	R0720-004100	0,460

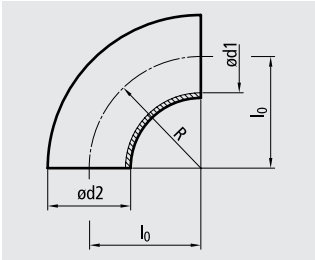


ACCESORIOS Y RACORES SMS SMS FITTINGS AND UNIONS RACCORDS ET ACCESSOIRES SMS

30

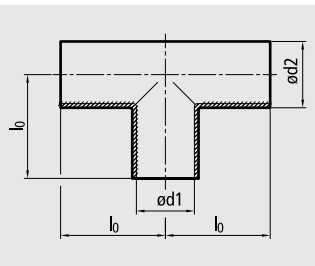
SMS

CODO 90° SOLDAR
WELDING BEND 90°
COUDE 90° A SOUDER



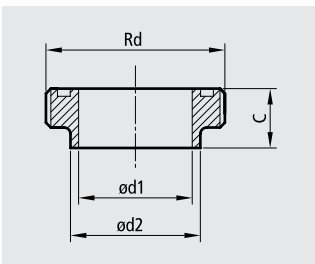
DN	Ød1	Ød2	l	R	AISI 304	AISI 316L	kg
25	22,5	25	37,5	37,5	T2220-0004025T	T2220-0006025T	0,044
38	35,5	38	57	57	T2220-0004040T	T2220-0006040T	0,110
51	48,5	51	76,5	76,5	T2220-0004050T	T2220-0006050T	0,184
63,5	60,5	63,5	95,3	95,3	T2220-0004063T	T2220-0006063T	0,370
76	72,9	76,1	114,2	114,2	T2220-0004076T	T2220-0006076T	0,565
104	100	104	152,1	152,1	T2220-0004104T	T2220-0006104T	1,270

TE SOLDAR CORTA
SHORT WELDING TEE
TE COURTE A SOUDER



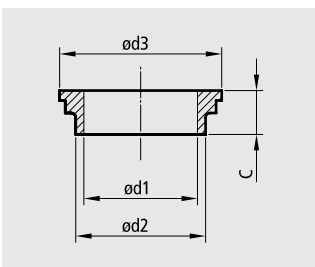
DN	d1	d2	l ₀	AISI 304	AISI 316L	kg
25	22,5	25	55	T2300-0004025T	T2300-0006025T	0,078
38	35,5	38	70	T2300-0004040T	T2300-0006040T	0,193
51	48,5	51	82	T2300-0004050T	T2300-0006050T	0,260
63,5	60,5	63,5	105	T2300-0004063T	T2300-0006063T	0,435
76	72,9	76,1	110	T2300-0004076T	T2300-0006076T	0,585
104	100	104	150	T2300-0004104T	T2300-0006104T	2,065

MACHO SOLDAR
WELDING MALE
NEZ À SOUDER



DN	Ød1	Ød2	Rd	C	AISI 304	AISI 316L	kg
25	22,5	25	40x1/6"	19	R2110-003025	R2110-006025	0,056
38	35,5	38	60x1/6"	23	R2110-003038	R2110-006038	0,175
51	48,5	51	70x1/6"	23	R2110-003051	R2110-006051	0,190
63,5	60,5	63,5	85x1/6"	27	R2110-003063	R2110-006063	0,350
76	72,9	76,1	98x1/6"	27	R2110-003076	R2110-006076	0,430
104	100	104	125x1/4"	30	R2110-003104	R2110-006104	0,570

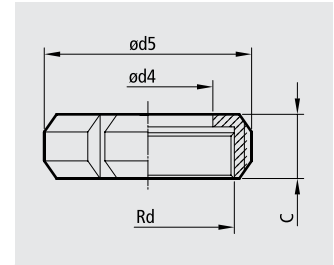
CASQUILLO SOLDAR
WELDING LINER
DOUILLE À SOUDER



DN	Ød1	Ød2	Ød3	C	AISI 304	AISI 316L	kg
25	22,5	25	35,5	15	R2120-003025	R2120-006025	0,034
38	35,5	38	55	20	R2120-003038	R2120-006038	0,085
51	48,5	51	65	20	R2120-003051	R2120-006051	0,106
63,5	60,5	63,5	80	24	R2120-003063	R2120-006063	0,162
76	72,9	76,1	93	24	R2120-003076	R2120-006076	0,230
104	100	104	118	30	R2120-003104	R2120-006104	0,350

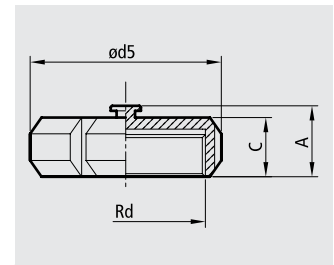
TUERCA
NUT
ECROU

DN	Ød4	Ød5	Rd	C	AISI 304	kg
25	32	51	40x1/6"	20	R2130-003025	0,110
38	48	74	60x1/6"	25	R2130-003040	-
51	61	84	70x1/6"	26	R2130-003050	-
63,5	74	100	85x1/6"	30	R2130-003063	0,495
76	87	114	98x1/6"	32	R2130-003076	0,636
104	113	140	125x1/4"	32	R2130-003104	0,750



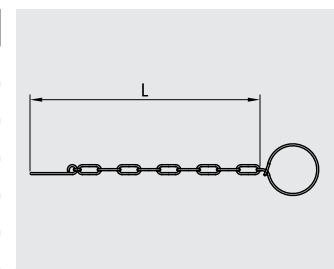
TUERCA CIEGA CON PIVOTE
BLIND NUT WITH BOSS
ECROU BOUC. AVEC PIVOT

DN	Ød5	Rd	A	C	AISI 304	kg
25	51	40x1/6"	27	20	R2035-004025	0,143
38	74	60x1/6"	32	25	R2035-004040	0,342
51	84	70x1/6"	33	26	R2035-004050	0,431
63,5	100	85x1/6"	37	30	R2035-004063	0,974
76	114	98x1/6"	39	32	R2035-004076	0,914
104	140	125x1/4"	39	32	R2035-004104	1,292



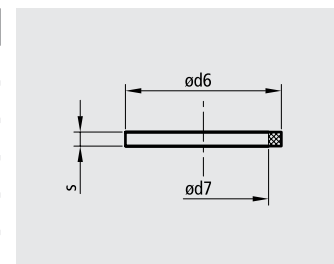
CADENA
CHAIN
CHAINETTE

DN	L	AISI 304	kg
25	240	R0039-004025	0,015
38	240	R0039-004040	0,015
51	240	R0039-004050	0,015
63,5	240	R0039-004065	0,015
76	240	R0039-004080	0,020
104	240	R0039-004100	0,020

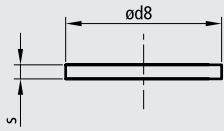


JUNTA RACORD
UNION SEAL
JOINT RACCORD

DN	Ød6	Ød7	S	EPDM	NBR	FPM	VMQ	kg
25	32	25	5,5	R2060-050025	R2060-040025	R2060-080025	R2060-060025	0,005
38	48	38	5,5	R2060-050040	R2060-040040	R2060-080040	R2060-060040	0,007
51	61	51	5,5	R2060-050050	R2060-040050	R2060-080050	R2060-060050	0,008
63,5	73,5	63,5	5,5	R2060-050063	R2060-040063	R2060-080063	R2060-060063	0,010
76	86	76	5,5	R2060-050076	R2060-040076	R2060-080076	R2060-060076	0,012
104	116	104	5,5	R2060-050104	R2060-040104	R2060-080104	R2060-060104	0,013



JUNTA PLANA TUERCA CIEGA
 BLIND NUT FLAT SEAL
 JOINT PLAT ECROU BOUCH



DN	Ød8	S	EPDM	kg
25	40	3	R2064-050025	0,010
38	60	3	R2064-050040	0,012
51	70	3	R2064-050050	0,018
63,5	85	3	R2064-050063	0,024
76	98	3	R2064-050076	0,046
104	125	3	R2064-050104	0,059