



VÁLVULA BOLA
BALL VALVE
VANNE À BOULE



ÍNDICE / INDEX

VÁLVULA BOLA
BALL VALVE
VANNE À BOULE

- Conexiones / Connections / Connexions:
- > DIN 11850 (Serie2)
- > DIN 11851
- > OD
- > SMS

ACCIONAMIENTO MANUAL
MANUAL DRIVE
COMMANDE MANUELLE

- > • Maneta / Handle / Poignée

ACCIONAMIENTO NEUMÁTICO
PNEUMATIC DRIVE
COMMANDE PNEUMATIQUE

- > • Actuadores / Actuators / Verins

4
5
9
12

15

18

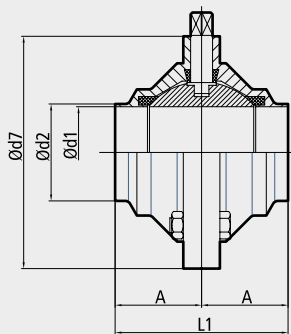
VÁLVULA BOLA BALL VALVE VALVE À BOULE

4

DIN 11850 (SERIES 2)

SOLDAR
WELD ENDS
À SOUDER

Conexiones según DIN 11850 (Series 2)
Connections according to DIN 11850 (Series 2)
Connexions selon DIN 11850 (Série 2)



70.14048.32.039

| DN | Ød1 | Ød2 | Ød7 | A | L1 | kg |
|-----|-----|-----|-----|----|-----|-----|
| 25 | 26 | 29 | 94 | 36 | 72 | 1,2 |
| 40 | 38 | 41 | 114 | 42 | 84 | 2 |
| 50 | 50 | 53 | 131 | 49 | 98 | 3,1 |
| 65 | 66 | 70 | 158 | 60 | 120 | 5 |
| 80 | 81 | 85 | 181 | 70 | 140 | 8,5 |
| 100 | 100 | 104 | 209 | 82 | 164 | 13 |

| DN | EPDM - AISI 304L | VMQ - AISI 304L | FPM - AISI 304L | NBR - AISI 304L |
|-----|------------------|-----------------|-----------------|-----------------|
| 25 | V6400-000452025 | - | - | - |
| 40 | V6400-000452040 | - | - | V6400-000440040 |
| 50 | V6400-000452050 | V6400-000460050 | - | V6400-000440050 |
| 65 | V6400-000452065 | V6400-000460065 | - | - |
| 80 | V6400-000452080 | - | - | V6400-000440080 |
| 100 | V6400-000452100 | - | - | V6400-000440100 |

| DN | EPDM - AISI 316L | VMQ - AISI 316L | FPM - AISI 316L | NBR - AISI 316L |
|-----|------------------|-----------------|-----------------|-----------------|
| 25 | V6400-000650025 | V6400-000660025 | V6400-000680025 | - |
| 40 | V6400-000650040 | V6400-000660040 | V6400-000680040 | V6400-000640040 |
| 50 | V6400-000650050 | V6400-000660050 | V6400-000680050 | V6400-000640050 |
| 65 | V6400-000650065 | V6400-000660065 | V6400-000680065 | V6400-000640065 |
| 80 | V6400-000650080 | V6400-000660080 | V6400-000678080 | V6400-000640080 |
| 100 | V6400-000650100 | V6400-000660100 | - | V6400-000640100 |

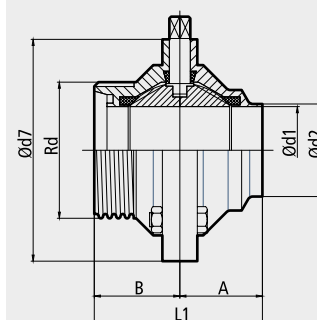
MACHO / SOLDAR
MALE / WELD
MÂLE / SODER

Conexiones según DIN 11851 / DIN 11850 (Series 2)
Connections according to DIN 11851 / DIN 11850 (Series 2)
Connexions selon DIN 11851 / DIN 11850 (Série 2)

| DN | Ød1 | Ød2 | Rd | Ød7 | A | B | L1 | kg |
|-----|-----|-----|------------|-----|----|----|-----|-----|
| 25 | 26 | 29 | Rd52x1/6" | 94 | 36 | 36 | 72 | 1,3 |
| 40 | 38 | 41 | Rd65x1/6" | 114 | 42 | 42 | 84 | 2,1 |
| 50 | 50 | 53 | Rd78x1/6" | 131 | 49 | 49 | 98 | 3,1 |
| 65 | 66 | 70 | Rd95x1/6" | 158 | 60 | 60 | 120 | 5,3 |
| 80 | 81 | 85 | Rd110x1/4" | 181 | 70 | 70 | 140 | 8,4 |
| 100 | 100 | 104 | Rd130x1/4" | 209 | 82 | 82 | 164 | 13 |

| DN | EPDM - AISI 304L | VMQ - AISI 304L | FPM - AISI 304L | NBR - AISI 304L |
|-----|------------------|-----------------|-----------------|-----------------|
| 25 | V6400-100452025 | - | - | - |
| 40 | V6400-100452040 | - | - | V6400-100440040 |
| 50 | V6400-100452050 | - | - | V6400-100440050 |
| 65 | V6400-100452065 | - | - | V6400-100440065 |
| 80 | V6400-100452080 | - | - | V6400-100440080 |
| 100 | V6400-100452100 | - | - | V6400-100440100 |

| DN | EPDM - AISI 316L | VMQ - AISI 316L | FPM - AISI 316L | NBR - AISI 316L |
|-----|------------------|-----------------|-----------------|-----------------|
| 25 | V6400-100650025 | V6400-100660025 | - | - |
| 40 | V6400-100650040 | V6400-100660040 | - | V6400-100640040 |
| 50 | V6400-100650050 | V6400-100660050 | V6400-100680050 | V6400-100640050 |
| 65 | V6400-100650065 | V6400-100660065 | - | V6400-100640065 |
| 80 | V6400-100650080 | V6400-100660080 | - | V6400-100640080 |
| 100 | V6400-100650100 | V6400-100660100 | - | - |



70.14048.32.040

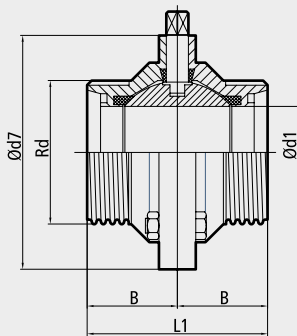
VÁLVULA BOLA BALL VALVE VALVE À BOULE

6

DIN 11850 (SERIES 2)

MACHO /MACHO
MALE / MALE
MÂLE / MÂLE

Conexiones según DIN 11851
Connections according to DIN 11851
Connexions selon DIN 11851



70.14048.32.041

| DN | Ød1 | Rd | Ød7 | B | L1 | kg |
|-----|-----|------------|-----|----|-----|------|
| 25 | 26 | Rd52x1/6" | 94 | 36 | 72 | 1,4 |
| 40 | 38 | Rd65x1/6" | 114 | 42 | 84 | 2,3 |
| 50 | 50 | Rd78x1/6" | 131 | 49 | 98 | 3,3 |
| 65 | 66 | Rd95x1/6" | 158 | 60 | 120 | 5,6 |
| 80 | 81 | Rd110x1/4" | 181 | 70 | 140 | 8,7 |
| 100 | 100 | Rd130x1/4" | 209 | 82 | 164 | 13,5 |

| DN | EPDM - AISI 304L | VMQ - AISI 304L | FPM - AISI 304L | NBR - AISI 304L |
|-----|------------------|-----------------|-----------------|-----------------|
| 25 | V6400-110452025 | - | - | - |
| 40 | V6400-110452040 | - | - | - |
| 50 | V6400-110452050 | V6400-110460050 | - | V6400-110440050 |
| 65 | V6400-110452065 | - | - | V6400-110440065 |
| 80 | V6400-110452080 | - | V6400-110480080 | V6400-110440080 |
| 100 | V6400-110452100 | - | - | - |

| DN | EPDM - AISI 316L | VMQ - AISI 316L | FPM - AISI 316L | NBR - AISI 316L |
|-----|------------------|-----------------|-----------------|-----------------|
| 25 | V6400-110650025 | V6400-110660025 | V6400-110680025 | V6400-110642025 |
| 40 | V6400-110650040 | V6400-110660040 | V6400-110680040 | V6400-110640040 |
| 50 | V6400-110650050 | V6400-110660050 | V6400-110680050 | V6400-110642050 |
| 65 | V6400-110650065 | V6400-110660065 | V6400-110678065 | V6400-110640065 |
| 80 | V6400-110650080 | V6400-110660080 | V6400-110680080 | V6400-110640080 |
| 100 | V6400-110650100 | V6400-110660100 | - | V6400-110642100 |

VÁLVULA BOLA
BALL VALVE
VALVE À BOULE



DIN 11850 (SERIES 2)

7

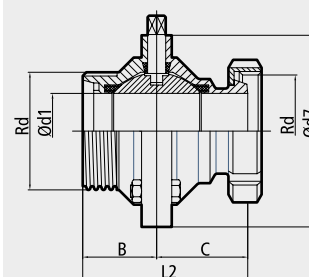
MACHO / TUERCA
MALE / NUT
MÂLE / FEMELLE

Conexiones según DIN 11851
Connections according to DIN 11851
Connexions selon DIN 11851

| DN | Ød1 | Rd | Ød7 | B | C | L2 | kg |
|-----|-----|------------|-----|----|-----|-----|------|
| 25 | 26 | Rd52x1/6" | 94 | 36 | 58 | 94 | 1,6 |
| 40 | 38 | Rd65x1/6" | 114 | 42 | 68 | 110 | 2,5 |
| 50 | 50 | Rd78x1/6" | 131 | 49 | 77 | 126 | 3,7 |
| 65 | 66 | Rd95x1/6" | 158 | 60 | 92 | 152 | 6,1 |
| 80 | 81 | Rd110x1/4" | 181 | 70 | 107 | 177 | 9,5 |
| 100 | 100 | Rd130x1/4" | 209 | 82 | 126 | 208 | 14,5 |

| DN | EPDM - AISI 304L | VMQ - AISI 304L | FPM - AISI 304L | NBR - AISI 304L |
|-----|------------------|-----------------|-----------------|-----------------|
| 25 | - | - | - | - |
| 40 | V6400-130452040 | - | - | - |
| 50 | V6400-130452050 | - | - | - |
| 65 | V6400-130452065 | - | - | - |
| 80 | V6400-130452080 | - | - | - |
| 100 | V6400-130452100 | - | - | - |

| DN | EPDM - AISI 316L | VMQ - AISI 316L | FPM - AISI 316L | NBR - AISI 316L |
|-----|------------------|-----------------|-----------------|-----------------|
| 25 | V6400-130650025 | V6400-130660025 | V6400-130680025 | - |
| 40 | V6400-130650040 | V6400-130660040 | V6400-130680040 | - |
| 50 | V6400-130650050 | V6400-130660050 | V6400-130680050 | - |
| 65 | V6400-130650065 | V6400-130660065 | V6400-130680065 | - |
| 80 | V6400-130650080 | V6400-130660080 | V6400-130678080 | - |
| 100 | V6400-130650100 | - | - | - |



70.14048.32.042

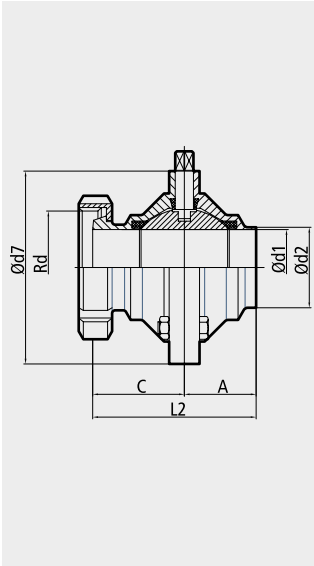
VÁLVULA BOLA BALL VALVE VALVE À BOULE

8

DIN 11850 (SERIES 2)

TUERCA / SOLDAR
NUT / WELD
FEMELLE / SODER

Conexiones según DIN 11851 / DIN 11850 (Series 2)
Connections according to DIN 11851 / DIN 11850 (Series 2)
Connexions selon DIN 11851 / DIN 11850 (Serié 2)



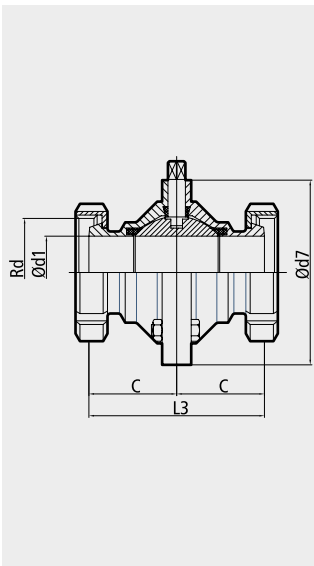
70.14048.32.043

| DN | Ød1 | Ød2 | Rd | Ød7 | A | C | L2 | kg |
|-----|-----|-----|------------|-----|----|-----|-----|------|
| 25 | 26 | 29 | Rd52x1/6" | 94 | 36 | 58 | 94 | 1,5 |
| 40 | 38 | 41 | Rd65x1/6" | 114 | 42 | 68 | 110 | 2,4 |
| 50 | 50 | 53 | Rd78x1/6" | 131 | 49 | 77 | 126 | 3,6 |
| 65 | 66 | 70 | Rd95x1/6" | 158 | 60 | 92 | 152 | 5,8 |
| 80 | 81 | 85 | Rd110x1/4" | 181 | 70 | 107 | 177 | 9,6 |
| 100 | 100 | 104 | Rd130x1/4" | 209 | 82 | 126 | 208 | 14,5 |

| DN | EPDM - AISI 316L | VMQ - AISI 316L | FPM - AISI 316L | NBR - AISI 316L |
|----|------------------|-----------------|-----------------|-----------------|
| 10 | - | V6400-300660025 | - | - |
| 15 | V6400-300650040 | - | - | - |
| 20 | V6400-300652050 | - | - | - |
| 25 | - | - | - | - |
| 32 | V6400-300650080 | - | - | - |
| 40 | V6400-300652100 | - | - | - |

TUERCA / TUERCA
NUT / NUT
FEMELLE / FEMELLE

Conexiones según DIN 11851
Connections according to DIN 11851
Connexions selon DIN 11851



70.14048.32.044

| DN | Ød1 | Rd | Ød7 | C | L3 | kg |
|-----|-----|------------|-----|-----|-----|------|
| 25 | 26 | Rd52x1/6" | 94 | 58 | 116 | 1,7 |
| 40 | 38 | Rd65x1/6" | 114 | 68 | 136 | 2,7 |
| 50 | 50 | Rd78x1/6" | 131 | 77 | 154 | 4,1 |
| 65 | 66 | Rd95x1/6" | 158 | 92 | 184 | 6,6 |
| 80 | 81 | Rd110x1/4" | 181 | 107 | 214 | 10,5 |
| 100 | 100 | Rd130x1/4" | 209 | 126 | 252 | 16 |

| DN | EPDM - AISI 316L | VMQ - AISI 316L | FPM - AISI 316L | NBR - AISI 316L |
|-----|------------------|-----------------|-----------------|-----------------|
| 25 | V6400-330650025 | - | - | - |
| 40 | V6400-330650040 | - | - | - |
| 50 | V6400-330650050 | - | - | - |
| 65 | V6400-330650065 | - | - | - |
| 80 | V6400-330650080 | V6400-330660080 | - | - |
| 100 | V6400-330650100 | - | - | - |

VÁLVULA BOLA
BALL VALVE
VALVE À BOULE



ASME OD

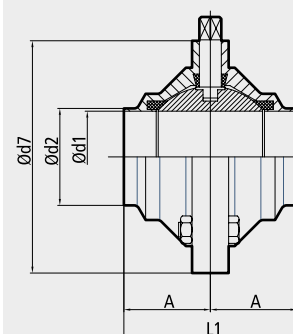
9

SOLDAR
WELD ENDS
À SOUDER

| DN | Ød1 | Ød2 | Ød7 | A | L1 | kg |
|--------|------|-------|-----|----|-----|-----|
| 1" | 22,1 | 25,7 | 94 | 36 | 72 | 1,2 |
| 1 1/2" | 34,8 | 38,1 | 114 | 42 | 84 | 2 |
| 2" | 47,5 | 50,8 | 131 | 49 | 98 | 3 |
| 2 1/2" | 60,2 | 63,5 | 158 | 60 | 120 | 5 |
| 3" | 72,9 | 76,2 | 181 | 70 | 140 | 8,4 |
| 4" | 97,4 | 101,6 | 209 | 82 | 164 | 13 |

| DN | EPDM - AISI 304L | VMQ - AISI 304L | FPM - AISI 304L | NBR - AISI 304L |
|--------|------------------|-----------------|-----------------|-----------------|
| 1" | V6401-000452025 | - | - | - |
| 1 1/2" | V6401-000452040 | - | - | - |
| 2" | V6401-000452050 | V6401-000460050 | - | V6401-000440050 |
| 2 1/2" | V6401-000452063 | V6401-000460063 | - | - |
| 3" | V6401-000452076 | V6401-000460076 | - | V6401-000440076 |
| 4" | V6401-000452100 | - | - | - |

| DN | EPDM - AISI 316L | VMQ - AISI 316L | FPM - AISI 316L | NBR - AISI 316L |
|--------|------------------|-----------------|-----------------|-----------------|
| 1" | V6401-000650025 | V6401-000660025 | V6401-000680025 | - |
| 1 1/2" | V6401-000650040 | V6401-000660040 | V6401-000680040 | - |
| 2" | V6401-000650050 | V6401-000660050 | V6401-000678050 | - |
| 2 1/2" | V6401-000650063 | V6401-000660063 | V6401-000680063 | - |
| 3" | V6401-000650076 | V6401-000660076 | V6401-000680076 | - |
| 4" | V6401-000650100 | V6401-000660100 | - | - |



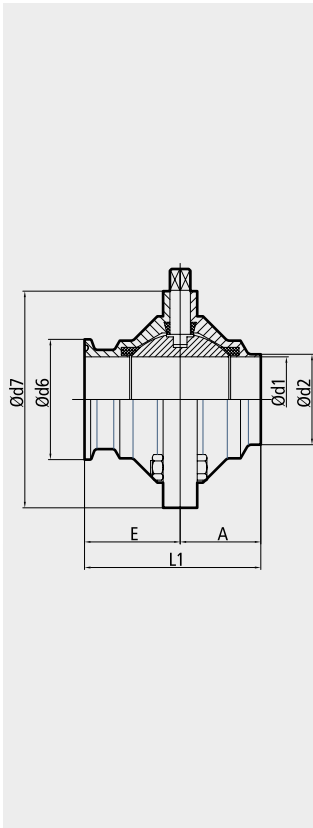
7014048-32.039

VÁLVULA BOLA BALL VALVE VALVE À BOULE

10

ASME OD

CLAMP/ SOLDAR
CLAMP / WELD
CLAMP / SODER



70:14048.32.044

| DN | Ød1 | Ød2 | Ød6 | Ød7 | A | E | L1 | kg |
|--------|------|-------|------|-----|----|----|-----|-----|
| 1" | 22,1 | 25,7 | 50,5 | 94 | 36 | 36 | 72 | 1,3 |
| 1 1/2" | 34,8 | 38,1 | 50,5 | 114 | 42 | 42 | 84 | 2,1 |
| 2" | 47,5 | 50,8 | 64 | 131 | 49 | 49 | 98 | 3 |
| 2 1/2" | 60,2 | 63,5 | 77,5 | 158 | 60 | 60 | 120 | 5,1 |
| 3" | 72,9 | 76,2 | 91 | 181 | 70 | 70 | 140 | 8,8 |
| 4" | 97,4 | 101,6 | 119 | 209 | 82 | 82 | 164 | 13 |

| DN | EPDM - AISI 304L | VMQ - AISI 304L | FPM - AISI 304L | NBR - AISI 304L |
|--------|------------------|-----------------|-----------------|-----------------|
| 1" | V6401-070452025 | - | - | - |
| 1 1/2" | V6401-070452040 | - | - | - |
| 2" | V6401-070452050 | - | - | - |
| 2 1/2" | V6401-070452063 | - | - | - |
| 3" | V6401-070452076 | - | - | - |
| 4" | V6401-070452100 | - | - | - |

| DN | EPDM - AISI 316L | VMQ - AISI 316L | FPM - AISI 316L | NBR - AISI 316L |
|--------|------------------|-----------------|-----------------|-----------------|
| 1" | V6401-070650025 | - | - | - |
| 1 1/2" | V6401-070652038 | - | - | - |
| 2" | V6401-070652050 | - | V6401-070680050 | - |
| 2 1/2" | V6401-070652063 | - | - | - |
| 3" | V6401-070650076 | - | - | - |
| 4" | V6401-070652100 | - | - | - |

VÁLVULA BOLA
BALL VALVE
VALVE À BOULE



ASME OD

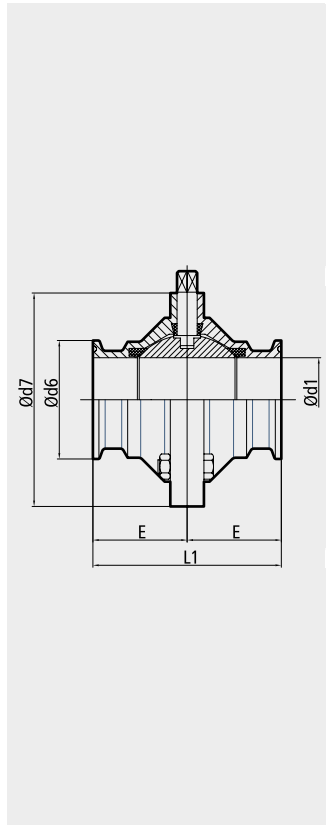
11

CLAMP / CLAMP
CLAMP / CLAMP
CLAMP / CLAMP

| DN | Ød1 | Ød6 | Ød7 | E | L1 | kg |
|--------|------|------|-----|----|-----|-----|
| 1" | 22,1 | 50,5 | 94 | 36 | 72 | 1,4 |
| 1 1/2" | 34,8 | 50,5 | 114 | 42 | 84 | 2,1 |
| 2" | 47,5 | 64 | 131 | 49 | 98 | 3 |
| 2 1/2" | 60,2 | 77,5 | 158 | 60 | 120 | 5,1 |
| 3" | 72,9 | 91 | 181 | 70 | 140 | 8,9 |
| 4" | 97,4 | 119 | 209 | 82 | 164 | 13 |

| DN | EPDM - AISI 304L | VMQ - AISI 304L | FPM - AISI 304L | NBR - AISI 304L |
|--------|------------------|-----------------|-----------------|-----------------|
| 1" | V6401-770452025 | - | - | - |
| 1 1/2" | V6401-770452040 | - | - | - |
| 2" | V6401-770450050 | - | - | - |
| 2 1/2" | V6401-770452063 | - | - | - |
| 3" | V6401-770450076 | - | - | - |
| 4" | V6401-770450100 | - | - | - |

| DN | EPDM - AISI 316L | VMQ - AISI 316L | FPM - AISI 316L | NBR - AISI 316L |
|--------|------------------|-----------------|-----------------|-----------------|
| 1" | V6401-770650025 | V6401-770660025 | V6401-770680025 | - |
| 1 1/2" | V6401-770650040 | V6401-770660040 | V6401-770680040 | - |
| 2" | V6401-770650050 | V6401-770660050 | V6401-770680050 | V6401-770640050 |
| 2 1/2" | V6401-770650063 | V6401-770660063 | V6401-770680063 | - |
| 3" | V6401-770650076 | V6401-770660076 | V6401-770680076 | - |
| 4" | V6401-770650100 | V6401-770660100 | - | - |



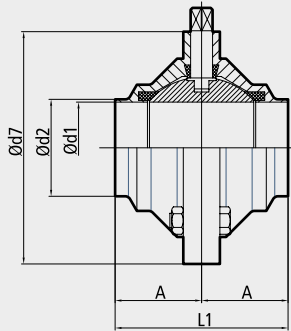
70.14048.32.046

VÁLVULA BOLA BALL VALVE VALVE À BOULE

12

SMS

SOLDAR
WELD ENDS
À SOUDER



70.14048.32.039

| DN | Ød1 | Ød2 | Ød7 | A | L1 | kg |
|-------|------|-------|-----|----|-----|-----|
| 25 | 22,1 | 25,7 | 94 | 36 | 72 | 1,2 |
| 38 | 34,8 | 38,1 | 114 | 42 | 84 | 2 |
| 51 | 47,5 | 50,8 | 131 | 49 | 98 | 3 |
| 63,5 | 60,2 | 63,5 | 158 | 60 | 120 | 5 |
| 76 | 72,9 | 76,2 | 181 | 70 | 140 | 8,4 |
| 101,6 | 97,4 | 101,6 | 209 | 82 | 164 | 13 |
| 104 | 100 | 104 | 209 | 82 | 164 | 13 |

| DN | EPDM - AISI 304L | VMQ- AISI 304L | FPM- AISI 304L | NBR- AISI 304L |
|-------|------------------|-----------------|----------------|-----------------|
| 25 | V6401-000452025 | - | - | - |
| 38 | V6401-000452040 | - | - | - |
| 51 | V6401-000452050 | V6401-000460050 | - | V6401-000440050 |
| 63,5 | V6401-000452063 | V6401-000460063 | - | - |
| 76 | V6401-000452076 | V6401-000460076 | - | V6401-000440076 |
| 101,6 | V6401-000452100 | - | - | - |
| 104 | V6400-000452100 | - | - | V6400-000440100 |

| DN | EPDM - AISI 316L | VMQ - AISI 316L | FPM - AISI 316L | NBR- AISI 316L |
|-------|------------------|-----------------|-----------------|-----------------|
| 25 | V6401-000650025 | V6401-000660025 | V6401-000680025 | - |
| 38 | V6401-000650040 | V6401-000660040 | V6401-000680040 | - |
| 51 | V6401-000650050 | V6401-000660050 | V6401-000678050 | - |
| 63,5 | V6401-000650063 | V6401-000660063 | V6401-000680063 | - |
| 76 | V6401-000650076 | V6401-000660076 | V6401-000680076 | - |
| 101,6 | V6401-000650100 | V6401-000660100 | - | - |
| 104 | V6400-000650100 | V6400-000660100 | - | V6400-000640100 |

VÁLVULA BOLA
BALL VALVE
VALVE À BOULE



SMS

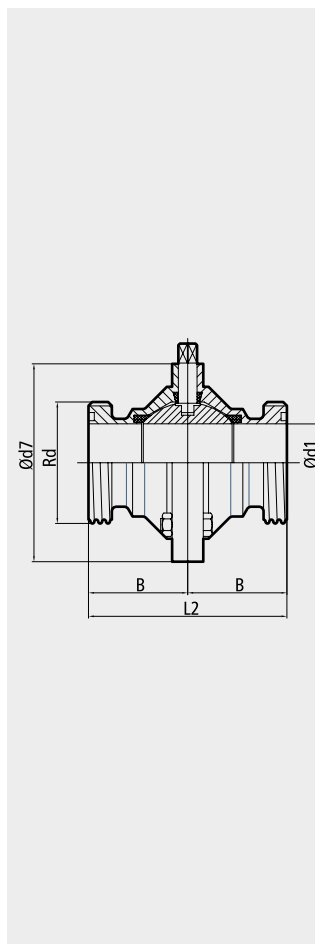
13

MACHO / MACHO
MALE / MALE
MÂLE / MÂLE

| DN | Ød1 | Rd | Ød7 | B | L2 | kg |
|-------|------|-------------|-----|-----|-----|-----|
| 25 | 22,5 | Rd40x 1/6" | 94 | 55 | 110 | 1,3 |
| 38 | 35,5 | Rd60x 1/6" | 114 | 65 | 130 | 2,4 |
| 51 | 48,5 | Rd70x 1/6" | 131 | 72 | 144 | 3,4 |
| 63,5 | 60,5 | Rd85x 1/6" | 158 | 87 | 174 | 5,7 |
| 76 | 72,9 | Rd98x 1/6" | 181 | 97 | 194 | 9,3 |
| 101,6 | 97,4 | Rd132x 1/6" | 209 | 117 | 234 | 14 |
| 104 | 100 | Rd125x 1/4" | 209 | 112 | 224 | 14 |

| DN | EPDM- AISI 304L | VMQ- AISI 304L | FPM- AISI 304L | NBR- AISI 304L |
|-------|-----------------|----------------|----------------|----------------|
| 25 | - | - | - | - |
| 38 | - | - | - | - |
| 51 | V6402-110452050 | - | - | - |
| 63,5 | - | - | - | - |
| 76 | - | - | - | - |
| 101,6 | - | - | - | - |
| 104 | V6402-110452104 | - | - | - |

| DN | EPDM - AISI 316L | VMQ- AISI 316L | FPM- AISI 316L | NBR- AISI 316L |
|-------|------------------|-----------------|----------------|----------------|
| 25 | V6402-110650025 | - | - | - |
| 38 | V6402-110650040 | - | - | - |
| 51 | V6402-110650050 | - | - | - |
| 63,5 | V6402-110650063 | - | - | - |
| 76 | V6402-110650076 | - | - | - |
| 101,6 | V6402-110650100 | - | - | - |
| 104 | V6402-110650104 | V6402-110660104 | - | - |



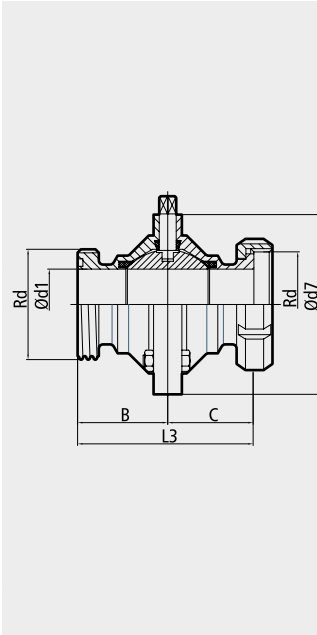
7014048.32.048

VÁLVULA BOLA BALL VALVE VALVE À BOULE

14

SMS

MACHO / TUERCA MALE / NUT MÂLE / FEMELLE

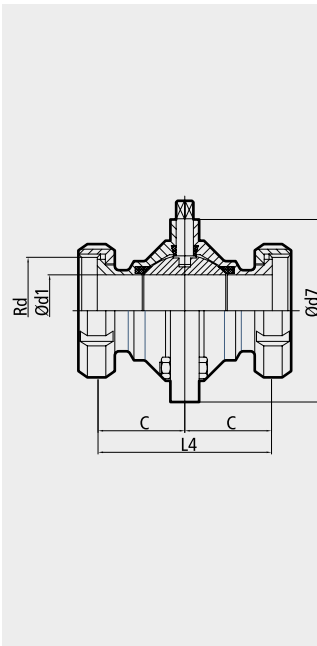


70.14048.32.049

| DN | Ød1 | Rd | Ød7 | B | C | L3 | kg |
|-------|------|-------------|-----|-----|-----|-----|------|
| 25 | 22,5 | Rd40x 1/6" | 94 | 55 | 51 | 106 | 1,4 |
| 38 | 35,5 | Rd60x 1/6" | 114 | 65 | 62 | 127 | 2,5 |
| 51 | 48,5 | Rd70x 1/6" | 131 | 72 | 69 | 141 | 3,6 |
| 63,5 | 60,5 | Rd85x 1/6" | 158 | 87 | 84 | 171 | 6 |
| 76 | 72,9 | Rd98x 1/6" | 181 | 97 | 94 | 191 | 9,7 |
| 101,6 | 97,4 | Rd132x 1/6" | 209 | 117 | 112 | 229 | 14,5 |
| 104 | 100 | Rd125x 1/4" | 209 | 112 | 112 | 224 | 14,5 |

| DN | EPDM- AISI 316L | VMQ - AISI 316L | FPM - AISI 316L | NBR- AISI 316L |
|-------|-----------------|-----------------|-----------------|----------------|
| 25 | V6402-130650025 | - | - | - |
| 38 | V6402-130650040 | V6402-130660040 | - | - |
| 51 | V6402-130650050 | V6402-130660050 | - | - |
| 63,5 | V6402-130650063 | - | - | - |
| 76 | V6402-130650076 | V6402-130660076 | - | - |
| 101,6 | V6402-130652100 | - | - | - |
| 104 | V6402-130650104 | - | - | - |

TUERCA / TUERCA NUT / NUT FEMELLE / FEMELLE



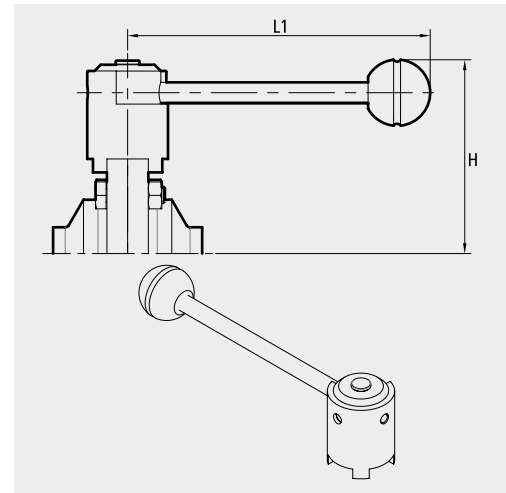
70.14048.32.051

| DN | Ød1 | Rd | Ød7 | C | L4 | kg |
|-------|------|-------------|-----|-----|-----|-----|
| 25 | 22,5 | Rd40x 1/6" | 94 | 51 | 102 | 1,5 |
| 38 | 35,5 | Rd60x 1/6" | 114 | 62 | 124 | 2,7 |
| 51 | 48,5 | Rd70x 1/6" | 131 | 69 | 138 | 3,8 |
| 63,5 | 60,5 | Rd85x 1/6" | 158 | 84 | 168 | 6,3 |
| 76 | 72,9 | Rd98x 1/6" | 181 | 94 | 188 | 10 |
| 101,6 | 97,4 | Rd132x 1/6" | 209 | 112 | 224 | 15 |
| 104 | 100 | Rd125x 1/4" | 209 | 112 | 224 | 15 |

| DN | EPDM- AISI 316L | VMQ - AISI 316L | FPM - AISI 316L | NBR- AISI 316L |
|-------|-----------------|-----------------|-----------------|----------------|
| 25 | - | - | - | - |
| 38 | V6402-330652040 | V6402-330660040 | - | - |
| 51 | - | V6402-330660050 | V6402-330680050 | - |
| 63,5 | - | - | - | - |
| 76 | - | - | - | - |
| 101,6 | - | - | - | - |
| 104 | - | - | - | - |

2 POSICIONES
 2 POSITIONS
 2 POSITIONS

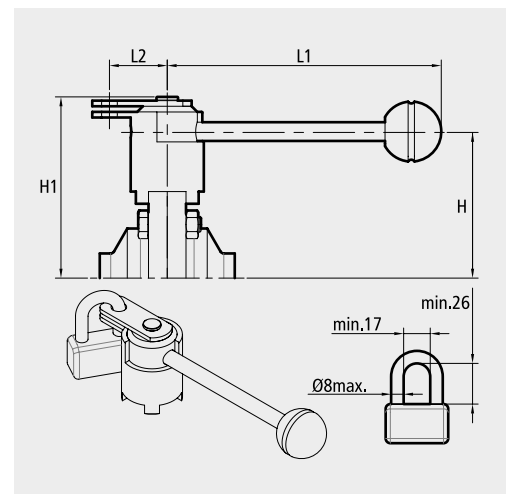
| DN | OD | H | L1 | CODE | kg |
|-----|--------|-----|-----|---------------|-----|
| 25 | 1" | 94 | | | |
| 40 | 1 1/2" | 104 | 146 | V9121-9004025 | 0,4 |
| 50 | 2" | 113 | | | |
| 65 | 2 1/2" | 126 | 175 | V9121-9004065 | 0,5 |
| 80 | 3" | 142 | 242 | | |
| 100 | 4" | 158 | 242 | V9121-9004080 | 1,1 |



70.14048.32.052

2 POSICIONES SIMPLE SEGURIDAD
 2 POSITIONS. ONE LOCKING POSITION
 2 POSITIONS AVEC SIMPLE SÉCURITÉ

| DN | OD | H | H1 | L1 | L2 | CODE | kg |
|-----|--------|-----|-----|-----|----|-----------------|-----|
| 25 | 1" | 94 | 96 | | | | |
| 40 | 1 1/2" | 104 | 107 | 146 | 30 | V9120-4804025SG | 0,5 |
| 50 | 2" | 113 | 115 | | | | |
| 65 | 2 1/2" | 126 | 129 | 175 | 30 | V9120-48041005G | 0,5 |
| 80 | 3" | 142 | 147 | 242 | 40 | | |
| 100 | 4" | 156 | 161 | 242 | 40 | V9120-64040805G | 1,1 |



70.14048.32.053

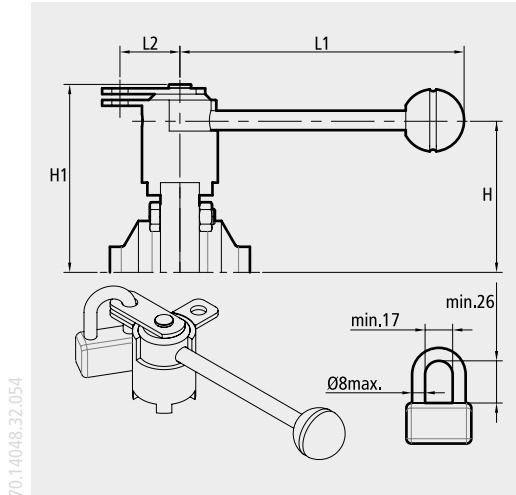
*Candado no incluido / Padlock not included / Cadenas non fourni

ACCIONAMIENTO MANUAL MANUAL DRIVE COMMANDE MANUELLE

16

MANETA / HANDLE / POIGNÉE

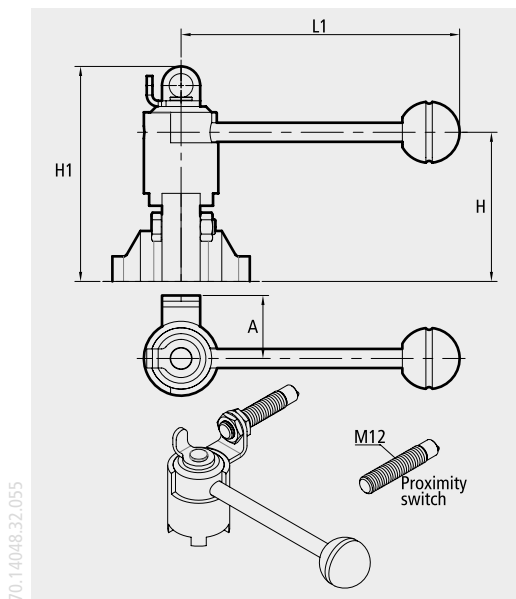
2 POSICIONES DOBLE SEGURIDAD
2 POSITIONS. TWO LOCKING POSITIONS
2 POSITIONS AVEC DOUBLE SÉCURITÉ



| DN | OD | H | H1 | L1 | L2 | CODE | kg |
|-----|--------|-----|-----|-----|----|-----------------|-----|
| 25 | 1" | 94 | 96 | | | | |
| 40 | 1 1/2" | 104 | 107 | 146 | 30 | V9120-4804025SH | 0,5 |
| 50 | 2" | 113 | 115 | | | | |
| 65 | 2 1/2" | 126 | 129 | 175 | 30 | V9120-4804100SH | 0,5 |
| 80 | 3" | 142 | 147 | 242 | 40 | V9120-6404080SH | 1,1 |
| 100 | 4" | 156 | 161 | 242 | 40 | | |

*Candado no incluido/ Padlock not included/ Cadenas non fourni.

2 POSICIONES CON UN DETECTOR DE PROXIMIDAD
2 POSITION HANDLE WITH 1 PROXIMITY SWITCH
2 POSITION AVEC UN DÉTECTEUR DE POSITION

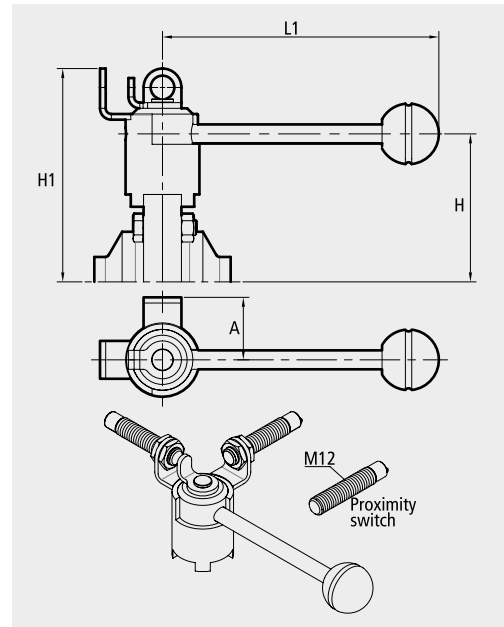


| DN | OD | H | H1 | L1 | A | CODE | kg |
|-----|--------|-----|-----|-----|----|---------------|-----|
| 25 | 1" | 94 | 112 | | | | |
| 40 | 1 1/2" | 104 | 123 | 146 | 33 | V9121-9104025 | 0,5 |
| 50 | 2" | 113 | 131 | | | | |
| 65 | 2 1/2" | 126 | 145 | 175 | 33 | V9121-9104065 | 0,5 |
| 80 | 3" | 142 | 162 | 242 | 38 | V9121-9104080 | 1,1 |
| 100 | 4" | 156 | 176 | 242 | 38 | | |

*Detector de proximidad no incluido/ Proximity switch not included/ Détecteur de position non fourni.

2 POSICIONES CON DOS DETECTORES DE PROXIMIDAD
 2 POSITION HANDLE WITH 2 PROXIMITY SWITCHES
 2 POSITION AVEC DEUX DÉTECTEURS DE POSITION

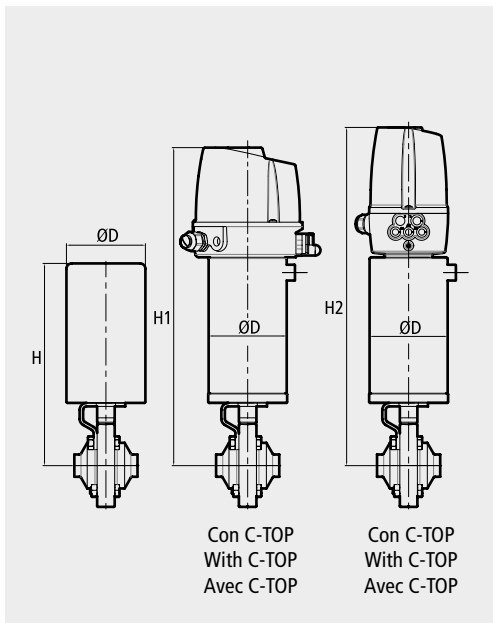
| DN | OD | H | H1 | L1 | A | CODE | kg |
|-----|--------|-----|-----|-----|----|---------------|-----|
| 25 | 1" | 94 | 112 | | | | |
| 40 | 1 1/2" | 104 | 123 | 146 | 33 | V9121-9204025 | 0,5 |
| 50 | 2" | 113 | 131 | | | | |
| 65 | 2 1/2" | 126 | 145 | 175 | 33 | V9121-9204065 | 1,1 |
| 80 | 3" | 142 | 162 | 242 | 38 | V9121-9204080 | 1,1 |
| 100 | 4" | 156 | 176 | 242 | 38 | | |



70.14048.32.056

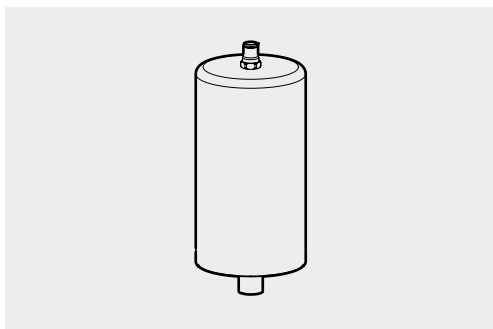
*Detectores de proximidad no incluidos/ Proximity switches not included/ Détecteurs de position non fourni.

ACTUADOR VERTICAL
VERTICAL ACTUATOR
VERIN VERTICAL



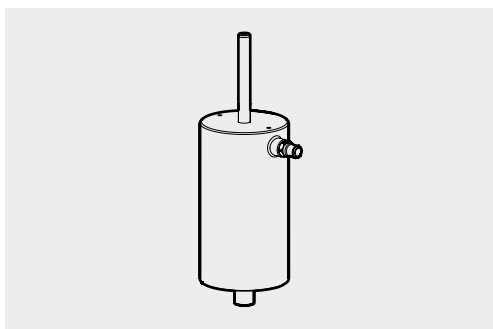
| DN | OD | T1 (D = Ø70) | | | T2 (D = Ø90) | | | T3 (D = Ø133) | | |
|-----|--------|----------------|-----|-----|----------------|-----|-----|-----------------|-----|-----|
| | | H | H1 | H2 | H | H1 | H2 | H | H1 | H2 |
| 25 | 1" | 207 | 358 | 381 | - | - | - | - | - | - |
| 40 | 1 1/2" | 217 | 368 | 391 | 243 | 375 | 398 | - | - | - |
| 50 | 2" | - | - | - | 252 | 384 | 407 | - | - | - |
| 65 | 2 1/2" | - | - | - | 265 | 397 | 420 | 314 | 447 | 470 |
| 80 | 3" | - | - | - | 277 | 409 | 432 | 326 | 459 | 482 |
| 100 | 4" | - | - | - | 291 | 423 | 446 | 340 | 473 | 496 |

ACTUADOR VERTICAL
VERTICAL ACTUATOR
VERIN VERTICAL



| Size | Single acting actuator | | Double acting actuator | |
|-------------------|------------------------|-----|------------------------|-----|
| | CODE | kg | CODE | kg |
| T1 | V9460-0004001 | 1,9 | V9461-0004001 | 1,5 |
| T2 | V9460-0004002 | 3,0 | V9461-0004002 | 2,4 |
| T3 (DN 65) | V9460-0004003 | 8,6 | V9461-0004003 | 6,6 |
| T3 (DN 80/100) | V9460-0004125 | 8,5 | V9461-0004125 | 6,6 |

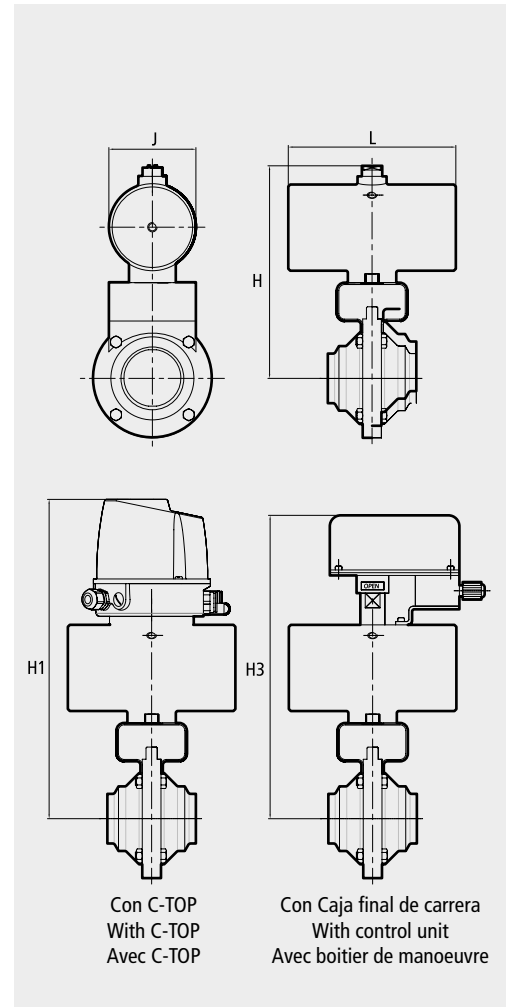
ACTUADOR VERTICAL PARA CABEZAL DE CONTROL
VERTICAL ACTUATOR FOR CONTROL UNIT
VERIN VERTICAL POUR BOÎTIER DE CONTRÔLE



| Size | Single acting actuator | | Double acting actuator | |
|-------------------|------------------------|-----|------------------------|-----|
| | CODE | kg | CODE | kg |
| T1 | V9460-8004001 | 2,8 | V9461-8004001 | 2,4 |
| T2 | V9460-8004002 | 3,6 | V9461-8004002 | 2,9 |
| T3 (DN 65) | V9460-8004003 | 9,1 | V9461-8004003 | 7,0 |
| T3 (DN 80/100) | V9460-8004125 | 9,1 | V9461-8004125 | 6,9 |

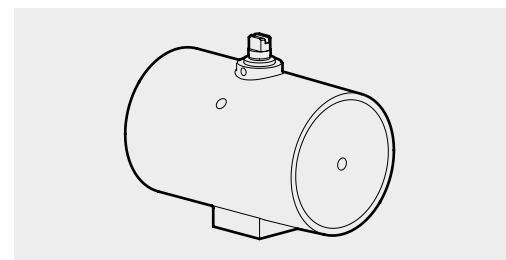
ACTUADOR NEUMÁTICO HORIZONTAL. ACERO INOXIDABLE
HORIZONTAL PNEUMATIC ACTUATOR. STAINLESS STEEL
VERIN PNEUMATIQUE HORIZONTAL. INOX

| DN | OD | H-008 (JxL=93 X 179) | | | H-012 (JxL=113 X 178) | | | H-020 (JxL=113 X 225) | | |
|-----|--------|-------------------------|-----|-----|--------------------------|-----|-----|--------------------------|-----|-----|
| | | H | H1 | H3 | H | H1 | H3 | H | H1 | H3 |
| 25 | 1" | 215 | 330 | 312 | - | - | - | - | - | - |
| 40 | 1 1/2" | 227 | 342 | 324 | - | - | - | - | - | - |
| 50 | 2" | 234 | 349 | 331 | - | - | - | - | - | - |
| 65 | 2 1/2" | 248 | 363 | 345 | 268 | 383 | 365 | - | - | - |
| 80 | 3" | - | - | - | 250 | 365 | 347 | - | - | - |
| 100 | 4" | - | - | - | 261 | 376 | 358 | 260 | 375 | 357 |

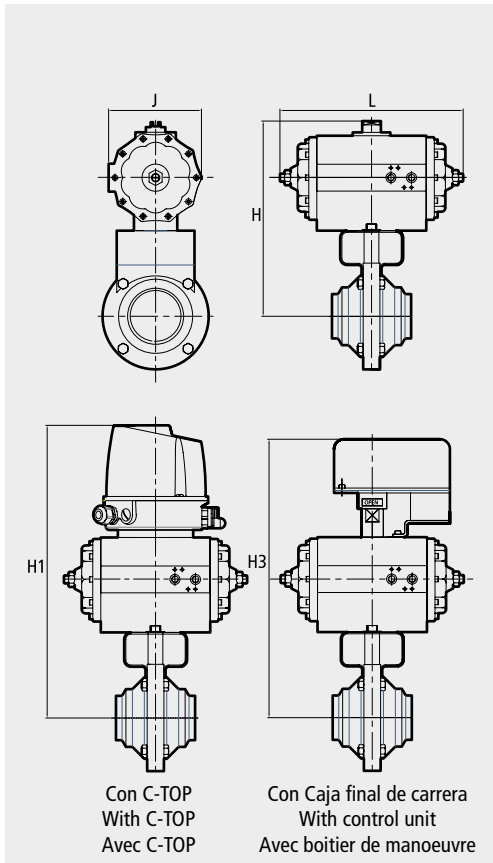


ACTUADOR NEUMÁTICO HORIZONTAL. ACERO INOXIDABLE
HORIZONTAL PNEUMATIC ACTUATOR. STAINLESS STEEL
VERIN PNEUMATIQUE HORIZONTAL. INOX

| Size | Single acting actuator | | Double acting actuator | |
|-------|------------------------|-----|------------------------|----|
| | CODE | kg | CODE | kg |
| H-008 | V9421-0004008 | - | V9422-0004008 | - |
| H-012 | V9421-0004012 | 6,1 | V9422-0004012 | - |
| H-020 | V9421-0004020 | - | V9422-0004020 | - |



ACTUADOR NEUMÁTICO HORIZONTAL. ALUMINIO
HORIZONTAL PNEUMATIC ACTUATOR. ALUMINIUM
VERIN PNEUMATIQUE HORIZONTAL. ALUMINIUM

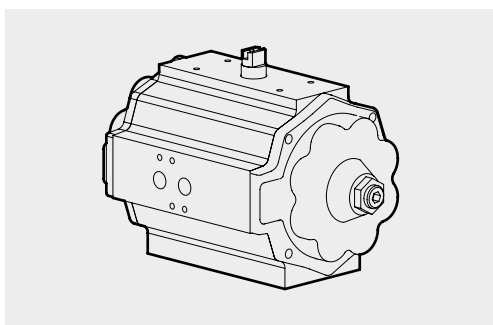


70.14048.32.059

| DN | OD | H-005 (JxL=90 X 179) | | | H-008 (JxL=113 X 219) | | |
|-----|--------|-------------------------|-----|-----|--------------------------|-----|-----|
| | | H | H1 | H3 | H | H1 | H3 |
| 25 | 1" | 205 | 320 | 302 | - | - | - |
| 40 | 1 1/2" | 217 | 332 | 314 | - | - | - |
| 50 | 2" | 224 | 339 | 321 | 234 | 349 | 331 |
| 65 | 2 1/2" | - | - | - | 248 | 363 | 345 |
| 80 | 3" | - | - | - | 230 | 345 | 327 |
| 100 | 4" | - | - | - | - | - | - |

| DN | OD | H-012 (JxL=133 X 239) | | | H-020 (JxL=133 X 285) | | |
|-----|--------|--------------------------|-----|-----|--------------------------|-----|-----|
| | | H | H1 | H3 | H | H1 | H3 |
| 25 | 1" | - | - | - | - | - | - |
| 40 | 1 1/2" | - | - | - | - | - | - |
| 50 | 2" | - | - | - | - | - | - |
| 65 | 2 1/2" | 268 | 383 | 365 | - | - | - |
| 80 | 3" | 250 | 365 | 347 | - | - | - |
| 100 | 4" | 261 | 376 | 358 | 260 | 375 | 357 |

ACTUADOR NEUMÁTICO HORIZONTAL. ALUMINIO
HORIZONTAL PNEUMATIC ACTUATOR. ALUMINIUM
VERIN PNEUMATIQUE HORIZONTAL. ALUMINIUM



| Size | Single acting actuator | | Double acting actuator | |
|-------|------------------------|-----|------------------------|-----|
| | CODE | kg | CODE | kg |
| H-005 | V9421-0020005 | 1,8 | V9422-0020005 | 1,6 |
| H-008 | V9421-0020008 | 3,1 | V9422-0020008 | 2,9 |
| H-012 | V9421-0020012 | 4,3 | V9422-0020012 | 3,6 |
| H-020 | V9421-0020020 | 5,6 | - | - |

