



**I Application**

The RV pump is a highly efficient centrifugal pump with helicoidal impeller. It is the best solution for the transfer of liquids with a high concentration of solid particles (up to 60%) that cannot be pumped with an ordinary centrifugal pump without being damaged. Due to the helicoidal shape of the impeller, the transfer of the product is gentle and without clogging. It is ideal for applications of the transfer of pieces of fruit or whole fruits, olives, mushrooms, slices of orange, vegetables, fish, etc. The RV centrifugal pumps are also widely used in wineries for the pump-over process where the high flow and minimum destruction of the suspended solid parts (seeds, skins, etc.) is required.

**I Design and features**

The RV close-coupled centrifugal pump consists of a pump casing with volute, helicoidal impeller, mechanical seal and pump cover. The RV centrifugal pump is highly efficient >70% (low power consumption).

Triphasic induction motor with B5 flange and B3 feet, in compliance with the IEC standards,  
 2 poles = 3000/3600 rpm, IE-2 efficiency class, IP 55 protection and F-class insulation.  
 3 phases, 50 Hz, 220-240 V Δ / 380-420 V Y, ≤ 4 kW  
 3 phases, 50 Hz 380-420 V Δ / 660-690 V Y, ≥ 5,5 kW

**I Technical specifications**

Materials:

Parts in contact with the product	AISI 316L
Lantern	AISI 316L
Other St.St. parts	AISI 304
Internal surface finish	Bright polish
External surface finish	Matte

Mechanical seal EN 12756 (DIN 24960 L1K):

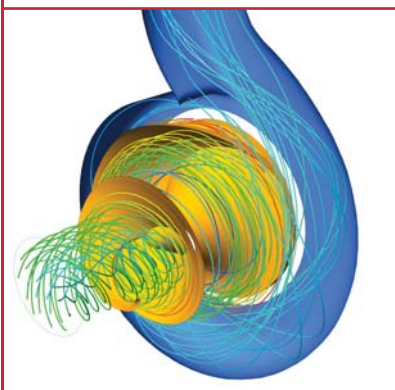
Rotary part	SiC
Stationary part	SiC
Gaskets	EPDM

Connections:

DIN 11851
CLAMP
SMS
(other connections available on request)

Maximum particle size:

ø 75mm.



The helicoidal impeller is designed with the CFD tool (Computational Fluid Dynamics)



## I Technical specifications

### Operating limits:

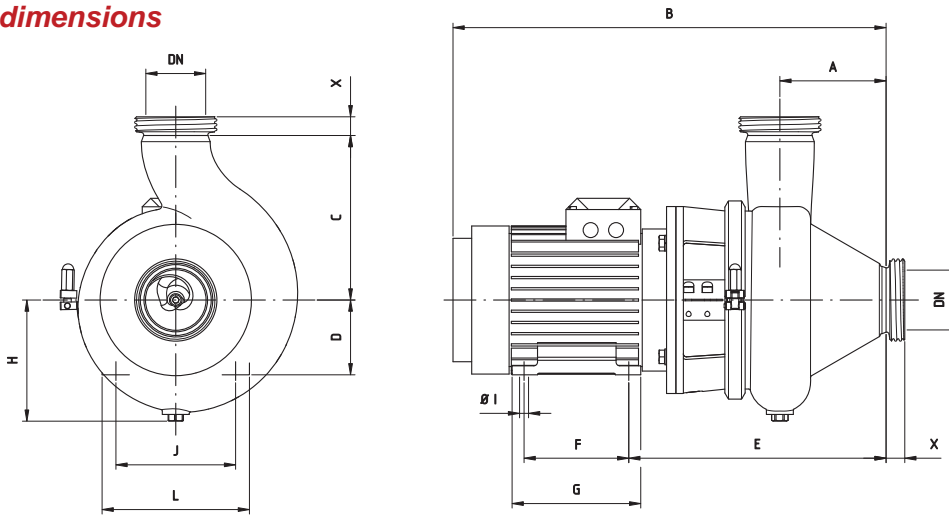
Max. working pressure	10 bar	145 PSI
Temperature range	-10 °C to +120 °C (EPDM)	14 °F to 248 °F
	+140 °C (SIP, max. 30 min)	284 °F
Max. flow	180 m <sup>3</sup> /h	793 US GPM
Max. differential head	22 mcl	72 ft
Max. speed	1800 rpm	



## I Options

- CE control panel with 10 m cable and plug.
- St.St. trolley.
- Remote control.
- Motor shroud and adjustable feet.
- Motor with frequency converter.

## I General dimensions



Dimensions X

Pump	DN	DIN	SMS	CLAMP	RJT
RV-65	65 2 ½"	25	27	28,5	21,5
RV-80	80 3"	25	27	29	21,5
RV-100	100 4"	30	30	21,5	22

Pump	Ø solids
RV-65	45
RV-80	60
RV-100	75

Pump	kW	Motor	A	B	C	D	E	F	G	H	I	ØJ	L	kg
RV-65	0,75	80	95	463	190	80	258	100	125	130	10	125	160	26
RV-80	2,2	100	142	606	220	100	344	140	172	163	12	160	197	49
RV-100	4	112	159	656	250	112	376	140	172	186	12	190	220	67



Información orientativa. Reservándonos el derecho de modificar cualquier material o característica sin previo aviso.  
Fotos no contractuales. Para más información consulte nuestra página web.



FI.RV.2.EN-0315