



### I Application

Ball valves, whether manually or automatically operated, are used mainly with viscous fluids containing solid particles, and, generally, in applications requiring an unobstructed flow. Suitable for the food-processing, beverage, wine-making, oil-making, cosmetic and chemical industries.

### I Operating principle

The ball valve can be operated automatically with an actuator or manually with a handle. The handle blocks the valve in the "open" or "closed" position. The actuator transforms the axial movement of the piston into a 90° rotary movement which it transmits to the ball.

### I Design and features

Compact and robust design.  
Available in sizes DN 25/1" to DN 100/4".  
Two-position handle.  
Easily interchangeable manual handles and pneumatic or electrical actuators.  
Low pressure losses.  
Half-bodies exchangeable with any connection type.  
Clamp/OD connections.  
Marking of seals allows traceability.

### I Materials

Ball	AISI 316L / 316
Flanges	AISI 316L / 316 (forged)
Gasket	EPDM according to FDA 177.2600
Handle	AISI 304 / PP
Surface finish	Hygienic polish

### I Options

Valve in AISI 304.  
Seals in NBR, VMQ or FPM.  
All of them according to FDA 177.2600.  
Connections: welding, DIN, Clamp, SMS, RJT, FIL-IDF, etc.  
Handle, lever, safety handle with lock, etc.  
Single- or double-acting pneumatic actuator or or electrical actuator.  
Position sensors (micro-switches or inductive switches).  
C-TOP control head.  
Cleaning and drainage connections.  
Third hole.



Horizontal actuator

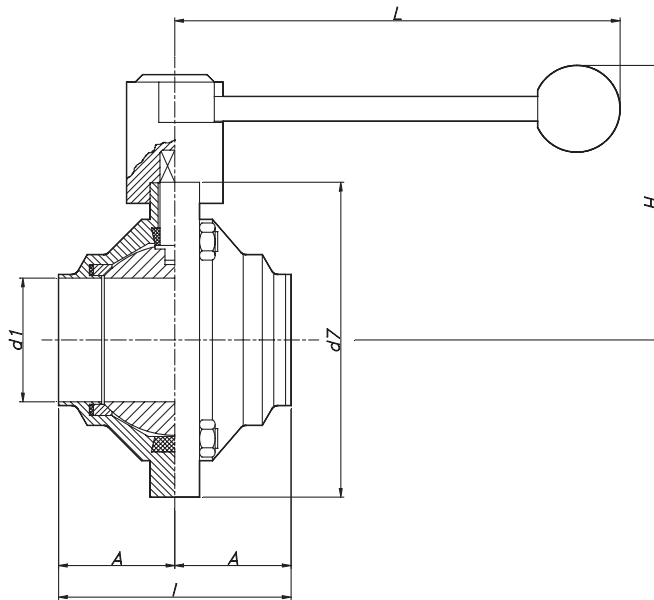
Third hole

**I Technical specifications**

Max.pressure 145 PSI (DN 25 - 65 / DN 1" - 2 1/2")  
 116 PSI (DN 80 - 100 / DN 3" - 4")  
 Working temperature 14 °F to +248 °F (EPDM)



Operating torque (Lb.ft.)	25 - 1"	40 - 1 1/2"	50 - 2"	2 1/2"	65	3"	80	100 - 4"
	6	7	10	11	13	13	15	19



DN	d1	d7	A	I	H	L	AISI 316L/316
25	1,02	3,70	1,42	2,83	3,74	5,91	26400025EB
40	1,50	4,49	1,65	3,81	4,09	5,91	26400040EB
50	1,97	5,16	1,93	3,86	4,41	5,91	26400050EB
65	2,60	6,22	2,36	4,72	4,96	7,09	26400065EB
80	3,19	7,13	2,76	5,51	5,59	9,84	26400080EB
100	3,94	8,23	3,23	6,46	6,14	9,84	26400100EB

DN	d1	d7	A	I	H	L	AISI 316L/316
1"	0,87	3,70	1,42	2,83	3,74	5,91	26400010EB
1 1/2"	1,37	4,49	1,65	3,31	4,09	5,91	26400112EB
2"	1,87	5,16	1,93	3,86	4,41	5,91	26400200EB
2 1/2"	2,37	6,22	2,36	4,72	4,96	7,09	26400212EB
3"	2,87	7,13	2,76	5,51	5,59	9,84	26400300EB
4"	3,83	8,23	3,23	6,46	6,14	9,84	26400400EB



The information contained in this brochure is for guidance only. We reserve the right to modify any material or feature without notice in advance. For further information, please, consult our web site. [www.inoxpa.com](http://www.inoxpa.com)

