

I Application

A flat sight glass consists of a glass fastened by means of a sanitary DIN union. Sight glasses are fitted to tanks to enable the inspection of the product, level, process, etc. They are widely used in the food-processing, cosmetics, pharmaceutical and fine chemicals industries.

I Technical specifications

Materials:

<i>Casing</i>	<i>AISI 316L (1.4404)</i>
<i>Glass</i>	<i>Tempered</i>
<i>Adapter gasket</i>	<i>NBR</i>
<i>Glass support gasket</i>	<i>PTFE</i>

Surface finish *Sanitary polish, Ra ≤ 0,8 μm*

Glass attachment *DIN sanitary union*

Available sizes

DIN 11850 *DN 25 - DN 150*

Connections

Weld

Maximum working temperature:

<i>Gasket</i>	<i>NBR</i>	<i>-10 °C to +100°C</i>	<i>14 °F to 212 °F</i>
<i>Glass</i>	<i>Tempered</i>	<i>240 °C</i>	<i>464 °F</i>
	<i>Borosilicate</i>	<i>300 °C</i>	<i>572 °F</i>



I Technical specifications

Max. working pressure [bar]:

DN	25	32	40	50	65	80	100	125	150
Sight glass with tempered glass					25	25	15	10	8
Sight glass with borosilicate glass	40	40	40	25	15	15	7	4	2

(Temperature and pressure values are approximate and may vary depending on product, gasket type and glass thickness)

I Options

Casing: AISI 304L.

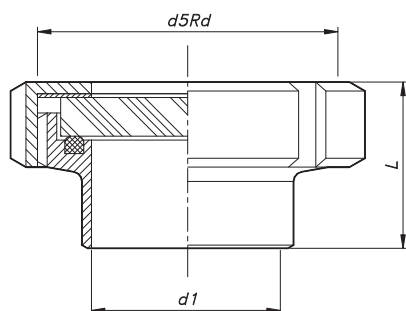
Gaskets: EPDM, VMQ or FPM.

Borosilicate glass in compliance with ISO 3585 and EN 1748 T1.

Double flat sight glass.

I Dimensions

Weld for metric pipe according to DIN 11850



DN	$\varnothing d1$	$d5Rd$	L
25	26	52 x 1/6	33
32	32	58 x 1/6	36
40	38	65 x 1/6	41
50	50	78 x 1/6	43
65	66	95 x 1/6	48
80	81	110 x 1/4	55
100	100	130 x 1/4	66
125	125	160 x 1/4	57
150	150	190 x 1/4	60

(Dimensions in mm)

