

C-TOP Reed

Control Unit



APPLICATION

The C-TOP Reed control unit can adapt to any INOXPA actuator, and both efficiently and individually automate pneumatically driven process valves. These include: butterfly, ball or single or double seat valves.

OPERATING PRINCIPLE

The control head contains up to a maximum of three solenoid valves, two magnetic targets and an electronic module formed by three sensors connected to the three visual indicators (LEDs). The solenoid valves which control and act on the valve are activated through external signals. At the same time, the electronic module sensors can read the position of the valve actuator through the detection of the position of the targets located on the adapter shaft and they inform of the valve state with the illuminate of the control head. The control head includes DIP switches that allow obtaining different configurations to adapt the control head to the different types of valves.

TECHNICAL SPECIFICATIONS

Stroke	≤ 70 mm
Maximum shaft diameter	22 mm
Adapter shaft diameter	6 mm
Assembly type	screws
Fluid	filtered compressed air, filtration degraded 40 µm lubricated or not lubricated
Measuring principle	magnetic Reed type
Measured quantity	position
Detection range	± 5 mm
Visual indicators	LED
Outdoor use	C1 - protected areas
Storage temperature	-20°C to 50°C
Environment temperature	-5°C to 50°C
Protection rating	IP65, IP67
Compressed air supply (1)	screwed adapter G1/8, QS-8 (for a Ø 8 mm pipe)
Service ports (A1...A3)	screwed adapter G1/8, QS-6 (for a Ø 6 mm pipe)
Exhaust (3)	screwed silencer G1/8
Maximum line length	30 m

Materials

Plastic parts	PA6
Nuts and bolts	A2
Gaskets	NBR
Pneumtical connections	nickel-plated brass

Solenoid valves

Quantity	0 - 3
Type	3/2 ways, normally closed with manual interlocking
Operature pressure	3 - 7 bar
Voltage supply	24 V DC \pm 10%
Power consumed	0,35 W

DESIGN AND FEATURES

The C-TOP Reed installs easily onto the top of the valve's actuator.

Quick and simple configuration.

Line detection using magnetic Reed type sensors.

Use of up to three solenoid valves possible.

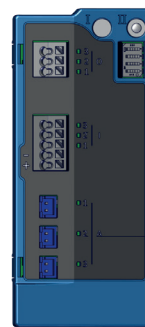
360° vies of lights indicating valve status.

DIGITAL COMMUNICATION

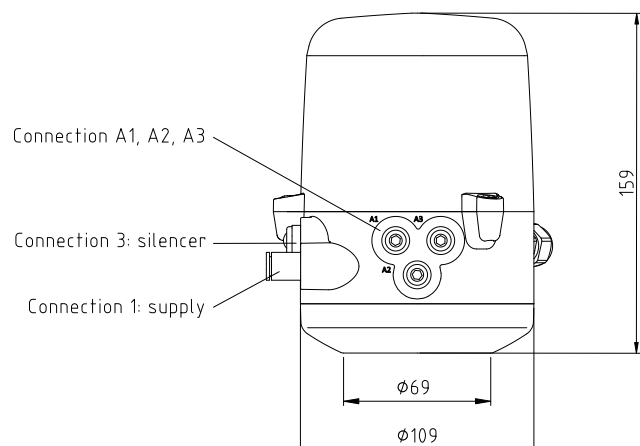
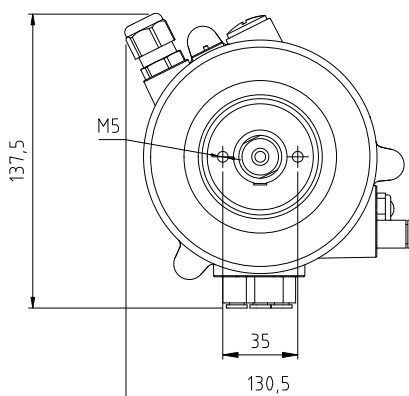
Voltage supply	24 V DC \pm 10%
Outputs	PNP normally open
Terminal	push-in type, nominal cable section from 0,2 to 1,5 mm ² (22AWG to 16AWG)
Main input	cable gland M16 x 1,5 (4 to 10 mm diameter cable)

Electrical connection for 0, 1, 2 o 3 solenoid valves

Printing	Description
3	output position 3
O 2	output position 2
1	output position 1
I 3	input 3 (solenoid valve 3)
I 2	input 2 (solenoid valve 2)
1	input 1 (solenoid valve 1)
-	0V (GND)
+	24V DC



10.427.32.0017

DIMENSIONS

10.426.32.0012