



**I Application**

The INNOVA T mixproof valve is a double seat pneumatic shut-off valve designed specifically for use in tanks and vats used for hygienic applications. A leak detection chamber under atmospheric pressure formed between both seats ensures that two different products are safely separated, one of which is usually CIP (cleaning agent).

The INNOVA T valve has two seats that form a leak detection chamber at atmosphere pressure for every type of operating condition. This means that any leaked product will enter the leak detection chamber before being discharged through the leak outlet. The leak detection chamber is closed when the valve is open, enabling the product to transfer from the tank to the pipes. This chamber is closed to the process when the valve is open, enabling the product to transfer from the tank to the pipes. Additionally, the valve can be cleaned to any level depending on the process.

**I Design and features**

- No leakage during the opening/closing of the valve.
- Single-acting pneumatic actuator.
- Easy disassembly of internal parts by loosening a clamp fastener.
- Open lantern allows visual inspection of shaft sealing.

**I Technical specifications**

**Materials:**

Parts in contact with the product	AISI 316L
Other stainless steel parts	AISI 304
Gasket in contact with the product	EPDM

**Surface finish:**

Internal	Polished Ra ≤ 0,8 µm
External	Matt

**Available sizes:**

DIN EN 10357 series A (previously DIN 11850 series 2)	DN 40 - DN 100
--	----------------

**ASTM A269/270**

(corresponds to OD pipe)	OD 1½" - OD 4"
--------------------------	----------------

**Connections:**

Weld

**Operating limits:**

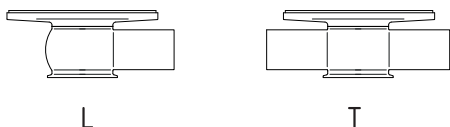
Maximum working temperature	121°C	250°F
Temperature SIP, max. 30 min	140°C	284°F
Maximum working pressure	10 bar	145 PSI
Minimum working pressure	Vacuum	Vacuum
Compressed air pressure	6-8 bar	87-116 PSI



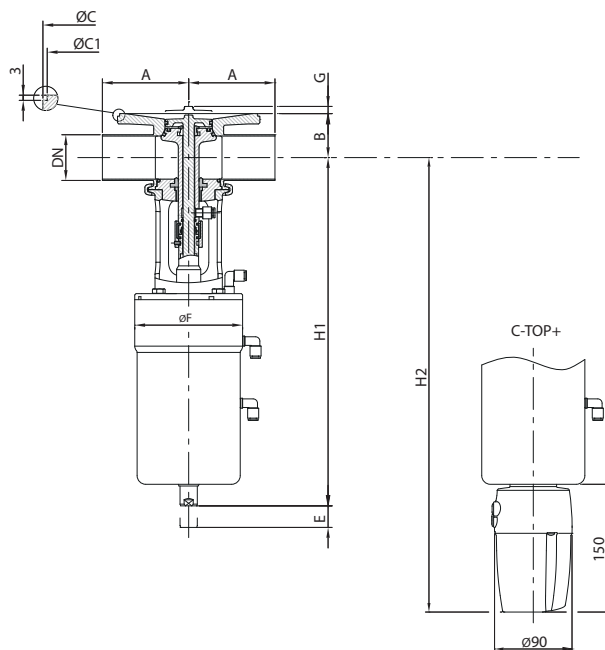
I Options

Gaskets: FPM, HNBR.  
 Other connection types.  
 C-TOP+ control unit.  
 External position sensors.  
 Internal surface finish: Ra ≤ 0,5 µm.

I Housing combinations



I Dimensions



	DN	Pipe Ø	A	B	C	C <sub>1</sub>	E	Ø F	G	H <sub>1</sub>	H <sub>2</sub>	kg
DIN	40	41,0 x 1,50	85	45	155	150	22	125	4	396	518	14
	50	53,0 x 1,50	100	51	165	160	22	125	5	406	528	15
	65	70,0 x 2,00	110	62	195	190	34	161	7,5	477	587	25
	80	85,0 x 2,00	125	70,5	215	210	34	161	6,5	483	593	27
	100	104 x 2,00	178	82,5	255	250	52	193	6,5	546	664	39
OD	1½"	38,1 x 1,65	85	43	155	150	22	125	4	399	521	10
	2"	50,8 x 1,65	100	50	165	160	22	125	5	408	530	15
	2½"	63,5 x 1,65	110	59	195	190	34	161	7,5	480	590	25
	3"	76,2 x 1,65	125	66	215	210	34	161	6,5	487	597	27
	4"	101,6 x 2,11	178	81	255	250	52	193	6,5	547	665	39



FT.INNOVA-T-1.EV\_0220