



## **INSTALLATION, SERVICE AND MAINTENANCE INSTRUCTIONS**

# **KIBER KVB-25**



### **INOXPA, S.A.**

c/Telers, 54 Apto. 174

E-17820 Banyoles

Girona (Spain)

Tel. : (34) 972 - 57 52 00

Fax. : (34) 972 - 57 55 02

Email: [inoxpa@inoxpa.com](mailto:inoxpa@inoxpa.com)

[www.inoxpa.com](http://www.inoxpa.com)



Original Manual

01.631.30.00EN

(D) 2021/11

# EC Declaration of Conformity



**INOXPA S.A.U.**

Telers, 60  
17820 - Banyoles (España)

hereby declare under our sole responsibility that the

Machine:	<b>PROGRESSIVE CAVITY PUMP</b>
Model:	<b>KIBER KVB</b>
Type:	<b>KIBER KVB-25</b>
Serial number:	<b>IXXXXXXXXXX to IXXXXXXXXXX XXXXXXXXXXIINXXX to XXXXXXXXXXXIINXXX</b>

fulfills all the relevant provisions of the following directive:

**Machinery Directive 2006/42/EC  
Regulation (EC) n° 1935/2004  
Regulation (EC) n° 2023/2006**

and with the following harmonized standards and/or regulations:

**EN ISO 12100:2010  
EN 809:1998+A1:2009/AC:2010  
EN 12162:2001+A1:2009  
EN 60204-1:2018**

The technical file has been prepared by the signer of this document.

A handwritten signature in black ink, appearing to read 'Dr. Reyero'.

David Reyero Brunet  
Technical Office Manager  
15th November 2021



Document: 01.631.30.05EN  
Revision: (0) 2021/11

# Declaration of Conformity



**INOXPA S.A.U.**

Telers, 60  
17820 - Banyoles (Spain)

hereby declare under our sole responsibility that the

Machine:	<b>PROGRESSIVE CAVITY PUMP</b>
Model:	<b>KIBER KVB</b>
Type:	<b>KIBER KVB-25</b>
Serial number:	<b>IXXXXXXXXXX to IXXXXXXXXXX XXXXXXXXXXIINXXX to XXXXXXXXXXXXIINXXX</b>

fulfils all the relevant provisions of these regulations:

**Supply of Machinery (Safety) Regulations 2008**

and with the following designated standards:

**EN ISO 12100:2010**  
**EN 809:1998+A1:2009/AC:2010**  
**EN 12162:2001+A1:2009**  
**EN 60204-1:2018**

The technical file has been prepared by the signer of this document.

A handwritten signature in black ink, appearing to read "Dr. Reyero Brunet".

David Reyero Brunet  
Technical Office Manager  
15th November 2021



Document: 01.631.30.06EN

Revision: (0) 2021/11

# 1. Safety

## 1.1. INSTRUCTIONS MANUAL

This instruction manual contains information on the reception, installation, operation, fitting, stripping and maintenance for the kiber KVB pump.

The information given herein is based on the most up-to-date data available.

INOXPA reserves the right to modify this instructions manual without having to give prior notice.

## 1.2. START-UP INSTRUCTIONS

This instruction manual contains vital and useful information for properly operating the pump and for keeping it in good running condition.

Not only should the safety instructions set forth in this chapter be carefully read before putting the pump into operation, but those concerned must also familiarise themselves with the operating features of the pump and strictly adhere to the instructions given herein. It is extremely important that these instructions be kept in a set place near the installation.

## 1.3. SAFETY

### 1.3.1. Warning signs



**Danger for people in general.**



**Danger of injury caused by rotating parts of the equipment.**



**Danger! Electricity.**



**Danger! Caustic or corrosive agents.**



**Danger! Suspended loads.**



**Danger to the proper operating of the machine.**



**Obligation to ensure safety at work.**



**Use of safety goggles obligatory.**

## 1.4. GENERAL SAFETY INSTRUCTIONS



**Please read the instruction manual carefully before installing and commissioning the pump. Should you have any doubts or queries, contact INOXPA.**

### 1.4.1. During the installation



**You must always bear in mind the *Technical Specifications* set forth in Chapter 8.**

**Do not put the pump into operation before connecting it to the pipes.**

**Check that the motor specifications are correct, especially if there is a special risk of explosion due to the work conditions.**



**During the installation procedure, all the electrical work must be carried out by duly authorised personnel.**

### 1.4.2. During operation



**You must always bear in mind the *Technical Specifications* set forth in Chapter 8. The limit values that have been set must NEVER be exceeded.**

**NEVER touch the pump or pipes whenever the pump is being used to decant hot liquids or during the cleaning procedure.**



**The pump has moving parts. Do not put your fingers into the pump when it is operating.**



**NEVER** work with the suction and the delivery valves shut off.

**NEVER** directly sprinkle the electric motor with water. Standard motor protection is IP-55: dust and water sprinkling protection.

#### 1.4.3. During maintenance



You must always bear in mind the *Technical Specifications* set forth in Chapter 8.

**NEVER** strip the pump down until the pipes have been drained. Remember that there will always be some liquid left in the pump casing (if it has not been fitted with a drain). Always remember that the liquid that has been pumped may be dangerous or subject to high temperatures. For situations of this type, please consult the prevailing regulations in the country in question.

**Do not** leave loose parts on the floor.



**ALWAYS** turn the power supply to the pump off before embarking on maintenance work. Take out the fuses and disconnect the wires from the motor terminals.

**All electrical work must be carried out by duly authorised personnel.**

#### 1.4.4. In accordance with the instructions

Any failure to comply with the instructions could lead to a hazard for the operators, the atmospheric conditions of the room, and the machine, and it could lead to a loss to any right to make a claim for damages.

Such non-compliance could bring with it the following risks:

- Important operating failures of the machine / plant.
- Failure to comply with specific maintenance and repair procedures.
- Potential electrical, mechanical and chemical hazards.
- Atmospheric conditions in the room could be hazardous due to the release of chemical substances.

#### 1.4.5. Warranty

We wish to point out that any warranty issued will be null and void and that we are entitled to an indemnity for any civil liability claim for products which might be filed by third parties if:

- Operation and maintenance work has not been done following the corresponding instructions; the repairs have not been made by our personnel or have been made without our written authorization;
- Modifications are made to our material without prior written authorization;
- The parts or lubricants used are not original INOXPA parts/lubricants;
- The material has been improperly used due to error or negligence or have not been used according to the indications and the intended purpose.
- The parts of the pump have been damaged as a result of having been exposed to strong pressure as there was no safety valve.

The General Delivery Terms which you have already received are also applicable.



**No modification can be made to the machine without the prior consent of the manufacturer. For your safety, use spare parts and original accessories. The use of other parts exempts the manufacturer from any and all responsibility.**

**Any change in operating conditions can only be done with the prior written consent of INOXPA.**

In the event of doubt or should you require a fuller explanation on particular data (adjustment, assembly, disassembly...), please do not hesitate to contact us

## 2. Index

<b>1. Safety</b>	
1.1. Instructions manual.....	3
1.2. Start-up instructions.....	3
1.3. Safety .....	3
1.4. General safety instructions.....	3
<b>2. Index</b>	
<b>3. General Information</b>	
3.1. Description .....	6
3.2. Range of applications .....	6
<b>4. Installation</b>	
4.1. Pump reception.....	7
4.2. Transport and storage .....	7
4.3. Location .....	8
4.4. Electrical installation .....	8
<b>5. Start-up</b>	
5.1. Start-up .....	9
<b>6. Operating problems</b>	
<b>7. Maintenance</b>	
7.1. General maintenance.....	11
7.2. Storage .....	11
7.3. Cleaning.....	11
7.4. Pump disassembly/ Assembly .....	12
<b>8. Technical Specifications</b>	
8.1. Technical specifications.....	14
8.2. Weight.....	14
8.3. Dimensions.....	15
8.4. Pump section.....	16
8.5. Parts list.....	17

# 3. General Information

## 3.1. DESCRIPTION

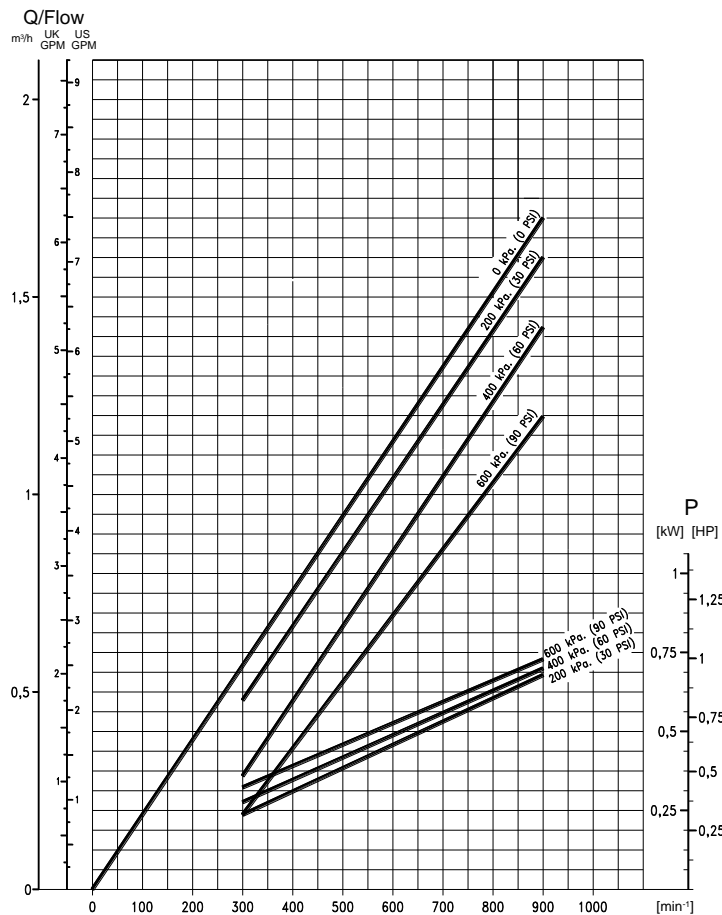
INOXPA's KVB-25 progressive cavity pump forms part of our range of positive-displacement pumps with helical rotor, intended for viscous fluids. This pump is specially designed for emptying closed barrels with the connection diameter of 60mm or wider.

The hydraulic parts that form the pump are the rotor and the stator. The rotor is a round-section worm. The stator has two ribs and its pitch doubles that of the rotor, thus allowing empty cavities between the stator and the rotor. These cavities are used to transport the fluid. When the rotor turns within the stator, the cavities move longitudinally from the suction area to the discharge nozzle.

This kind of pumps is suitable for pressures from 6 bar.

All pump parts in contact with the pumped product are manufactured in AISI 316L stainless steel. The stator is manufactured in NBR, according to the FDA norm, and the standard sealing is EN 12756 mechanical seal. This equipment is suitable for his use in food process.

## 3.2. RANGE OF APPLICATIONS



**Each pump has a limited field of application. The pump in question was selected for certain pumping conditions at the time the order was made. INOXPA is not liable for any damages that might arise if the information furnished by the purchaser is incomplete (nature of the liquid, RPM...).**

# 4. Installation

## 4.1. PUMP RECEPTION

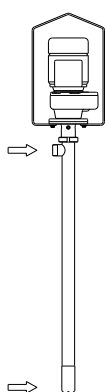


**INOXPA is not responsible for any deterioration of the material as a result of its transportation or unpacking. Visually check that the packing has not suffered any damage.**

The pump will be accompanied by the following documentation:



- Dispatch notes.
- Pump Instruction and Service Manual.
- Motor Instruction and Service Manual (\*).
- (\*) If the pump has been supplied with a motor from INOXPA.

Unpack the pump and check the following:



- The pump suction and delivery connections, removing the remains of any packing material.
- Check that the pump and the motor have not suffered any damage.
- Should the pump not be in proper condition and/or does not have all the parts, the haulier must draw up a report as soon as possible with regard to the same.

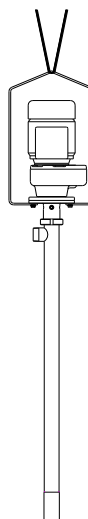
### 4.1.1. Pump identification and marking

		<b>INOXPA S.A.</b> C. Teleris, 54 - P.O. BOX 174 17820 BANYOLES - GIRONA (SPAIN) Tel.972 57 52 00 - Fax.972 57 55 02 www.inoxpa.com	
<input type="checkbox"/>	YEAR <input type="text"/>	<input type="checkbox"/>	
MODEL <input type="text"/>	N° <input type="text"/>	← Serial number	
kW <input type="text"/>	min <sup>-1</sup> <input type="text"/>	V <input type="text"/>	Hz <input type="text"/>
Qm <sup>3</sup> /h <input type="text"/>	Hm <input type="text"/>	Ø IMPELLER <input type="text"/>	

Pump plate

## 4.2. TRANSPORT AND STORAGE

Lift the pump through the drive support as is shown below:





### 4.3. LOCATION

Position the pump into the barrel, always having the stator submerged.



**Make sure that the pump does not work in dry because the stator will be deteriorated quickly.**

### 4.4. ELECTRICAL INSTALLATION



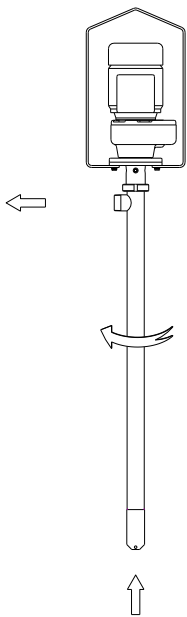
**Leave the connecting of the electrical motors to qualified personnel. Take the necessary measures to prevent any breakdowns in the connections and wires.**



**The electrical equipment, the terminals and the components of the control systems may still carry an electric charge even when disconnected. Contact with them may put the safety of operators at risk, or cause irreparable damage to the material.**

**Before manoeuvring the pump, make sure that the electric box is switched off.**

- Connect the motor in accordance with the instructions supplied by the manufacturer of the same.
- Check the direction of the rotation (see the signaling label on the pump).



Put the pump motor into operation momentarily. Make sure, by looking at the pump from above, that the motor's ventilator is rotating in a clockwise direction.



**Check ALWAYS the direction of the motor's rotation with liquid inside the pump.**

## 5. Start-up



Before putting the pump into operation read carefully the instructions on installation given in Chapter 4. *Installation*.

### 5.1. START-UP



Read Chapter 8. *Technical Specifications* carefully. INOXPA will not assume responsibility for any improper or incorrect use of the equipment.



Do not touch the pump or the piping while it is pumping products at a high temperature.

#### 5.1.1. Checks to be carried out before putting the pump into operation

- Fully open the cut-off valve on the discharge pipe.
- Check that the stator is submerged.



The pump must **NEVER** rotate without liquid.

- Check that the rotation direction of the motor is correct.
- Check that the power supply matches the rating indicated on the motor plate.

#### 5.1.2. Checks to be carried out on putting the pump into operation

- Check to make sure that the pump is not making any strange noises.
- Check to see if the absolute inlet pressure is sufficient, in order to avoid cavitations in the pump. Consult the curve for the minimum required pressure above the steam pressure (NPSHr).
- Monitor the delivery pressure.
- Check that there are no leaks in the sealed areas.



Monitor motor consumption in order to avoid a circuit overload.

## 6. Operating problems

The table given below provides solutions to problems that might arise during pump operation. With respect to the same, it is assumed that the pump has been properly installed and has been correctly selected for the application in question. Should there be a need for technical service please contact INOXPA.

Operating problems	Probable causes
Overloading of motor.	3.
Insufficient flow rate or pressure in pump.	1, 2, 3, 4, 9, 10.
Irregular discharge flow rate / pressure.	1, 3.
Noise and vibrations.	2, 3, 4, 7, 10.
The pump gets clogged.	3, 4, 7.
Overheating of the pump.	3, 4, 7.
Abnormal wear.	4, 7, 10, 11.
Leak in mechanical seal.	5, 6, 8.

Probable causes		Solutions
1	Wrong rotation direction.	Change the direction of the rotation.
2	Delivery pressure is too high.	If necessary, decrease the load losses by increasing the diameter of the piping, for example.
3	The viscosity of the liquid is too high.	Decrease the viscosity by heating the liquid, for example.
4	The temperature of the liquid is too high.	Decrease the temperature of the liquid by cooling it.
5	Mechanical seal either damaged or worn.	Replace the seal.
6	Unsuitable stator or O-ring for the liquid in question.	Fit more suitable O-ring by consulting the supplier with respect to the same.
7	There are foreign bodies in the liquid.	Place a filter at the suction piping.
8	The tension of the mechanical seal spring is too low.	Adjust in accordance with the instructions given herein.
9	The pump speed is too low.	Increase the speed.
10	The stator is worn out.	Replace the stator.
11	Very abrasive liquid.	Mount the more suitable material of stator (check with the supplier).



**If the problems persist stop using the pump immediately. Contact the pump manufacturer or his representative.**

# 7. Maintenance

## 7.1. GENERAL MAINTENANCE

This pump, as with any other machine, needs to be maintained. The instructions contained in this manual deal with the identification and replacement of the spare parts. These instructions have been drawn up by maintenance staff and are destined for those people who are responsible for supplying spare parts.



Read carefully Chapter 8. *Technical specifications*.

All the parts or materials that are changed must be duly eliminated/recycled in accordance with the prevailing directives in each area.



ALWAYS disconnect the pump before starting out on any maintenance work.

### 7.1.1. Check the mechanical seal

Periodically check that there are no leaks in the shaft area. Should there be any leaks in the mechanical seal area, replace the same pursuant to the instructions given in the section entitled *Stripping and Assembly* of the pump.

## 7.2. STORAGE

Before being stored the pump must be completely emptied of liquids. Avoid, as far as possible, the exposure of the parts to excessively damp atmospheres.

## 7.3. CLEANING



The use of aggressive cleaning products such as caustic soda and nitric acid may give rise to skin burns.

Use rubber gloves during the cleaning process.



Always use protective goggles.

To clean the pump manually, disassemble the pump as indicated in the *Pump disassembly/assembly* instructions.

In order to remove any remains of cleaning products, ALWAYS rinse the element in question with clean water after completing the cleaning process.

## 7.4. PUMP DISASSEMBLY/ ASSEMBLY

### 7.4.1. Stator, rotor

#### ↓ Disassembly

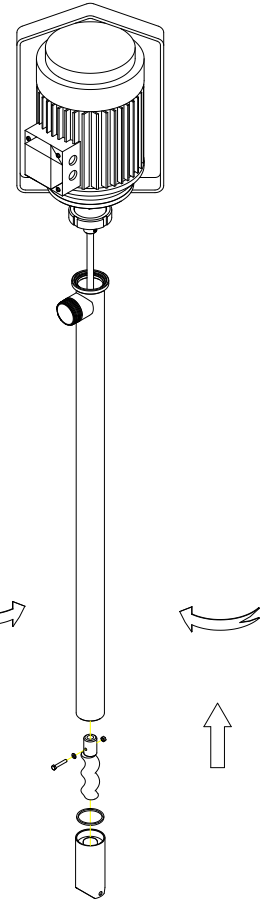
Insert a rod into the hole in the stator and unscrew the stator (22). Mind that it is left-threaded. Pull out the pump casing (01) loosening the nut of the flange support (04), mind that it is also left-threaded. Remove the rotor (21) pulling out the hexagonal screw (52) and the hexagonal nut (54).



**The stator and the upper part of the casing are left threaded.**

#### ↑ Assembly

Attach the rotor (21) to the shaft (05) and fasten it with the hexagonal screw (52), flat washer (53) and hexagonal nut (54). Place the O-ring (80) into the casing (01) and assemble it on the flange support (04) with a left-threaded hexagonal nut. Place the seal stop ring (31A) to the stator (22) and with help of the rod in the hole of the stator screw it to the casing (01) till it stops, remember that it is left threaded.



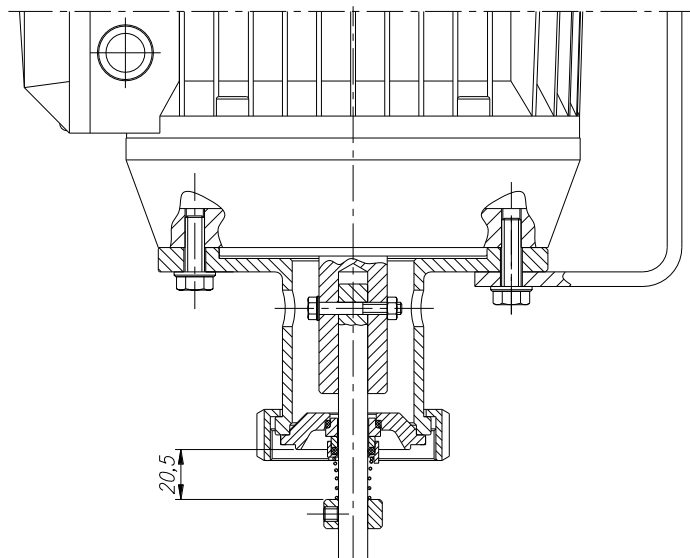
### 7.4.2. Mechanical seal

#### ↓ Disassembly

Continue disassembling the pump in the horizontal position. Loosen the pin (55) of the seal stop ring (31) and slide it, pull it out together with the rotating part of the mechanical seal (08). Remove the seal cover (09) with the stationary part of the mechanical seal.

#### ↑ Assembly

Place the stationary part of the mechanical seal (08) into the housing of the seal cover (09) and then assemble it on the centre of the flange support (04). Slide the rotating part of the mechanical seal along the shaft and the seal stop ring (31) and fix with the pin (55) the seal stop ring (31) according to the following assembly dimensions.



### 7.4.3. Change of drive

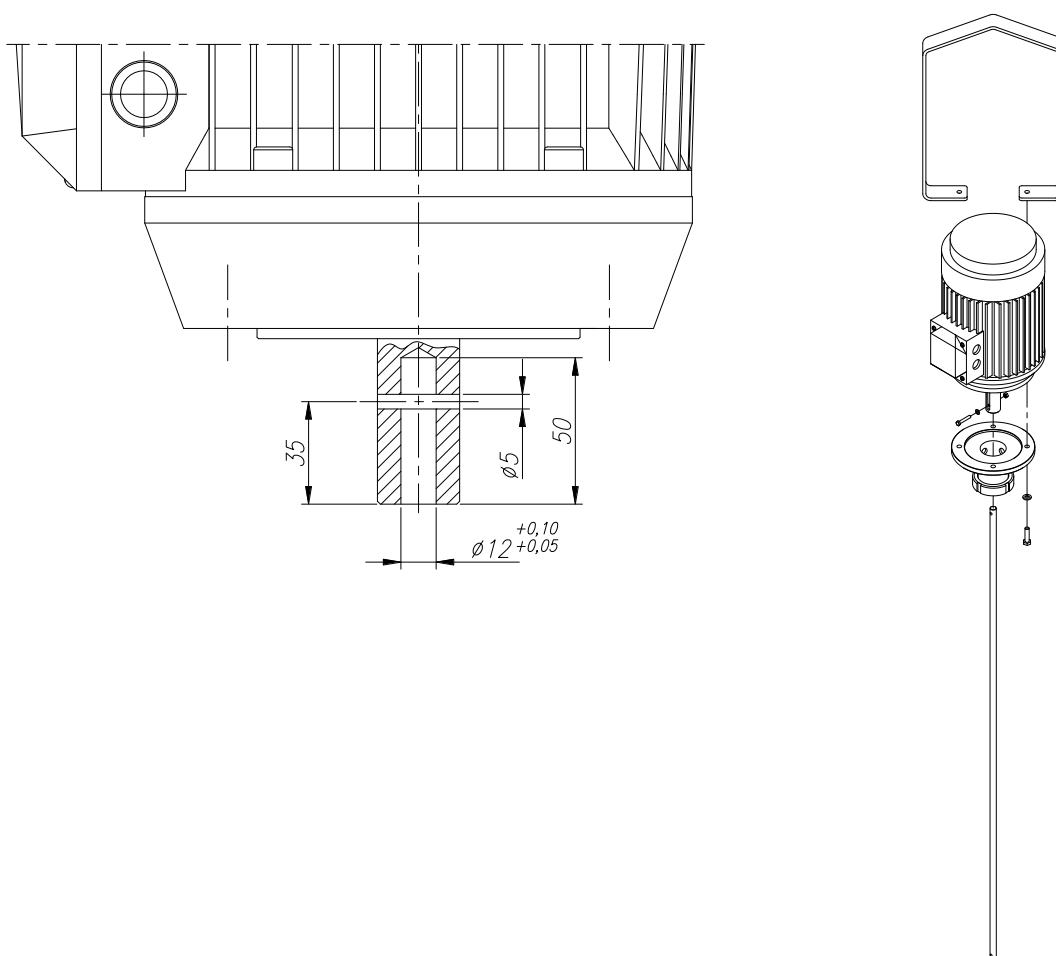
#### ↓ Disassembly

First, follow the disassembly procedure as indicated in the above section.

Remove the hexagonal screw (52A), hexagonal nut (54) and the shaft (05). Then loosen the hexagonal screws (52B and 52C) to pull out the flange support (04) and the drive support (06).

#### ↑ Assembly

Drill a hole in the drive shaft (93) as indicated on the figure below. Mount the shaft (05) in the hole of the drive and fix it with the hexagonal screw (52A) and hexagonal nut (54). Place the flange support (04) and the drive support (06) to the flange of the drive, fasten the hexagonal screws (52B and 52C) and flat washers (53A).



# 8. Technical Specifications

## 8.1. TECHNICAL SPECIFICATIONS

Flow at 900 rpm. ....	28 l/min.
Flow at 750 rpm. ....	23 l/min.
Flow at 500 rpm. ....	16 l/min.
Flow at 300 rpm. ....	10 l/min.
Maximum operating pressure .....	6 bar (87 PSI)
Maximum viscosity .....	40.000 mPas
Operating temperature .....	-10 °C a +85°C 14 °F a 185 °F
Sound level .....	60-80 dB(A)
Discharge connection .....	R 1 1/2"
Pump tube diameter .....	54 mm.

### Materials

Stator .....	NBR black according FDA
Parts in contact with the product .....	AISI 316L
Other parts in stainless steel .....	AISI 304
Gaskets in contact with the product .....	NBR
Other optional stator materials .....	NBR white, EPDM
Surface finish .....	Standard polished

### Mechanical seal

Type of seal .....	Single inside seal
Stationary part material .....	Silicon
Rotary part material .....	Silicon
Seals material .....	Viton

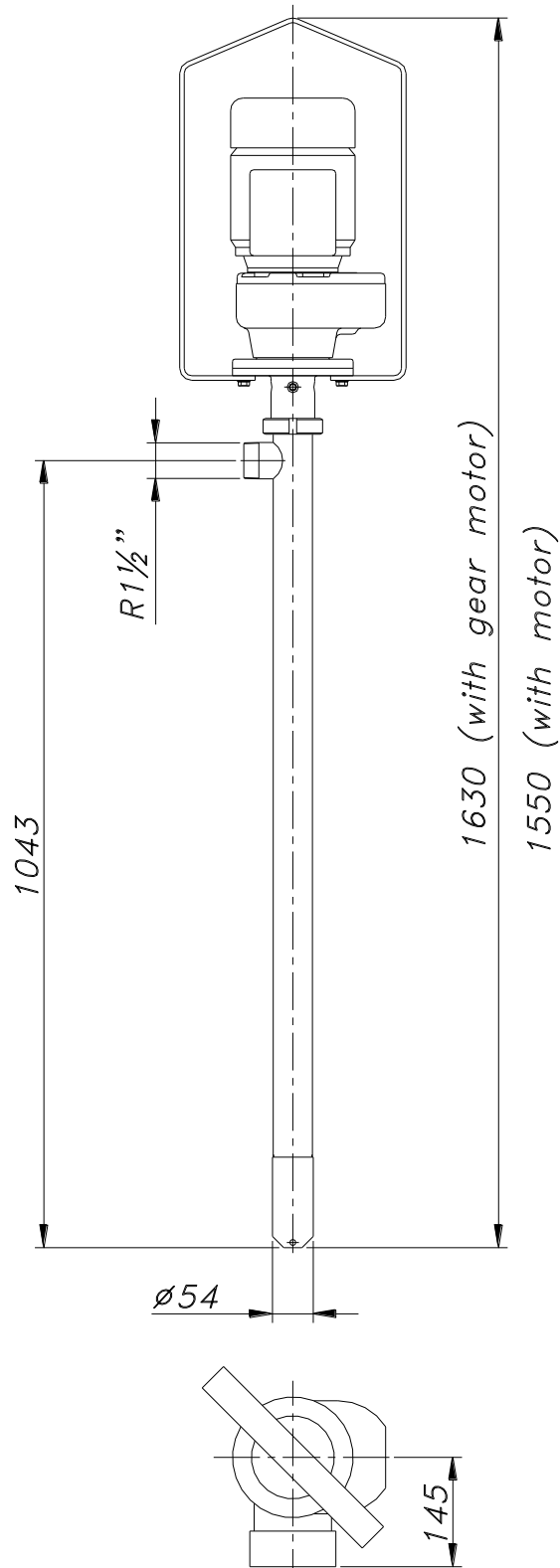


**Whenever the noise level in the area of operation exceeds 85 dB(A) use special protection.**

## 8.2. WEIGHT

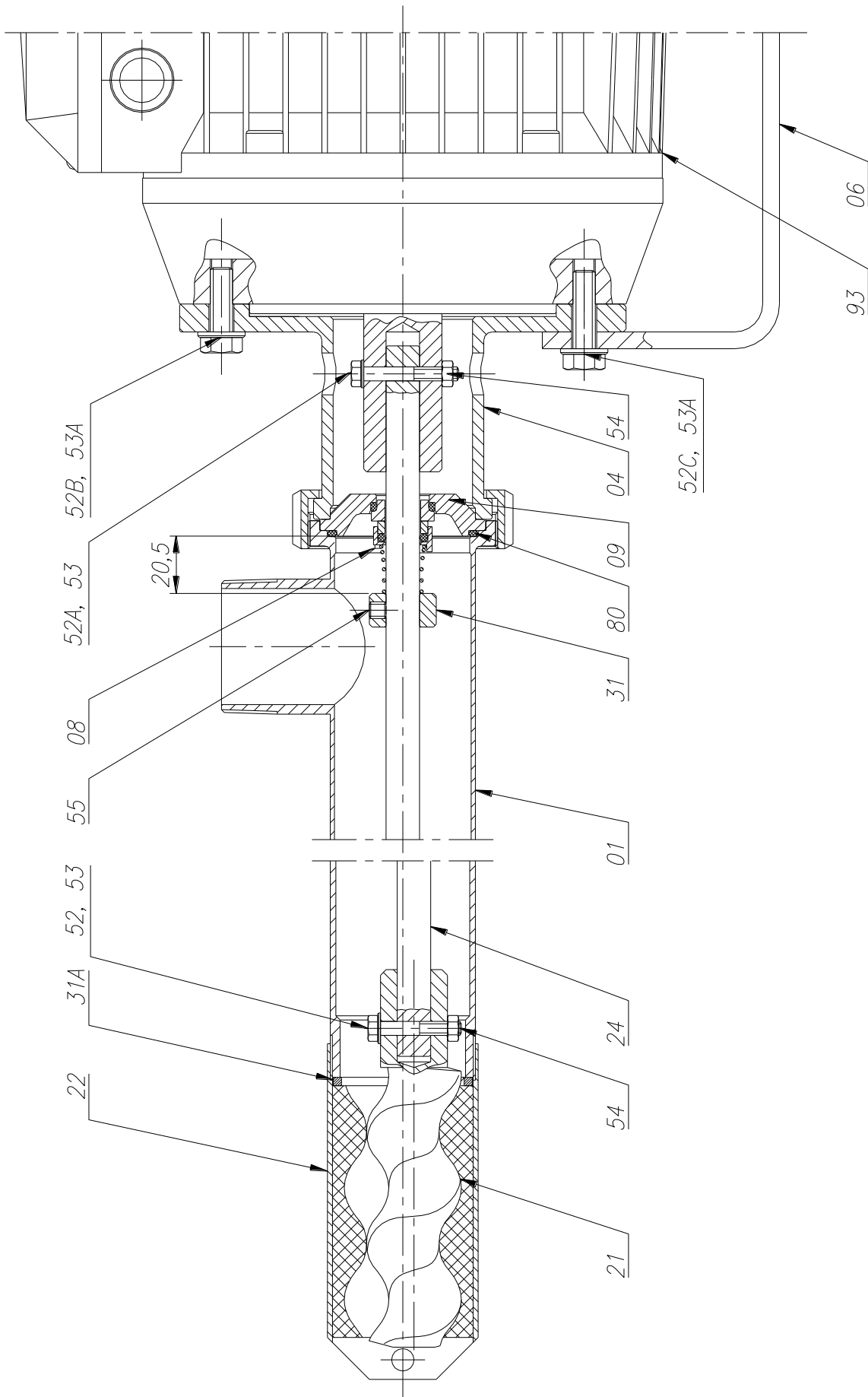
Pump type	Weight without drive [Kg]	Weight with motor [Kg]	Weight with gear motor [Kg]
KVB-25	8	36	33

### 8.3. DIMENSIONS





**8.4. PUMP SECTION**



## 8.5. PARTS LIST

Position	Description	Quantity	Material
01	Pump casing	1	AISI 316L
04	Flange support	1	AISI 304
06	Drive support	1	AISI 304
08	Mechanical seal	1	-
09	Seal cover	1	AISI 316L
21	Rotor	1	AISI 316L
22	Stator	1	AISI 316L + black NBR
24	Connecting rod	1	AISI 316L
31	Seal stop ring	1	AISI 316L
31A	Washer	1	AISI 316L
52	Hexagonal screw	1	A2
52A	Hexagonal screw	1	A2
52B	Hexagonal screw	2	A2
52C	Hexagonal screw	2	A2
53	Flat washer	2	A2
53A	Flat washer	4	A2
54	Hexagonal nut	2	A2
55	Pin	1	A2
80	O-ring	1	NBR
93	Drive	1	-



**INOXPA, S.A.**

c/ Telers, 54 – PO Box 174  
17820 BANYOLES (GIRONA)  
Tel: 34 972575200  
Fax: 34 972575502  
e-mail: inoxpa@inoxpa.com  
www.inoxpa.com

**DELEGACIÓN LEVANTE**

PATERNA (VALENCIA)  
Tel: 963 170 101  
Fax: 963 777 539  
e-mail: inoxpa.levante@inoxpa.com

**LA CISTÉRNIGA (VALLADOLID)**

Tel: 983 403 197  
Fax: 983 402 640  
e-mail: sta.valladolid@inoxpa.com

**INOXPA SOLUTIONS LEVANTE**

PATERNA (VALENCIA)  
Tel: 963 170 101  
Fax: 963 777 539  
e-mail: isf@inoxpa.com

**ST. SEBASTIEN sur LOIRE**

Tel/Fax: 33 130289100  
e-mail: inoxpa.fr@inoxpa.com

**INOXPA ALGERIE**

ROUIBA  
Tel: 213 21856363 / 21851780  
Fax: 213 21854431  
e-mail: inoxpalgerie@inoxpa.com

**INOXPA UK LTD**

SURREY  
Tel: 44 1737 378 060 / 079  
Fax: 44 1737 766 539  
e-mail: inoxpa-uk@inoxpa.com

**INOXPA SKANDINAVIEN A/S**

HORSENS (DENMARK)  
Tel: 45 76 286 900  
Fax: 45 76 286 909  
e-mail: inoxpa.dk@inoxpa.com

**INOXPA SPECIAL PROCESSING  
EQUIPMENT, CO., LTD.**

JIA XING (China)  
Tel.: 86 573 83 570 035 / 036  
Fax: 86 573 83 570 038

**INOXPA WINE SOLUTIONS**

VENDARGUES (FRANCE)  
Tel: 33 971 515 447  
Fax: 33 467 568 745  
e-mail: frigail.fr@inoxpa.com /  
npourtaud.fr@inoxpa.com

**DELEGACIÓN NORD-ESTE /**

BARBERÀ DEL VALLÈS (BCN)  
Tel: 937 297 280  
Fax: 937 296 220  
e-mail: inoxpa.nordeste@inoxpa.com

**DELEGACIÓN CENTRO**

ARGANDA DEL REY (MADRID)  
Tel: 918 716 084  
Fax: 918 703 641  
e-mail: inoxpa.centro@inoxpa.com

**LOGROÑO**

Tel: 941 228 622  
Fax: 941 204 290  
e-mail: sta.rioja@inoxpa.com

**INOXPA SOLUTIONS FRANCE**

GLEIZE  
Tel: 33 474627100  
Fax: 33 474627101  
e-mail: inoxpa.fr@inoxpa.com

**WAMBRECHIES**

Tel: 33 320631000  
Fax: 33 320631001  
e-mail: inoxpa.nord.fr@inoxpa.com

**INOXPA SOUTH AFRICA (PTY) LTD**

JOHANNESBURG  
Tel: 27 117 945 223  
Fax: 27 866 807 756  
e-mail: sales@inoxpa.com

**S.T.A. PORTUGUESA LDA**

VALE DE CAMBRA  
Tel: 351 256 472 722  
Fax: 351 256 425 697  
e-mail: comercial.pt@inoxpa.com

**IMPROVED SOLUTIONS**

VALE DE CAMBRA  
Tel: 351 256 472 140 / 138  
Fax: 351 256 472 130  
e-mail: isp.pt@inoxpa.com

**INOXRUS**

MOSCOW (RUSIA)  
Tel / Fax: 74 956 606 020  
e-mail: moscow@inoxpa.com

**INOXPA UCRANIA**

KIEV  
Tel: 38 050 720 8692  
e-mail: kiev@inoxpa.com

**ZARAGOZA**

Tel: 976 591 942  
Fax: 976 591 473  
e-mail: inoxpa.aragon@inoxpa.com

**DELEGACIÓN STA**

GALDACANO (BILBAO)  
Tel: 944 572 058  
Fax: 944 571 806  
e-mail: sta@inoxpa.com

**DELEGACIÓN SUR**

JEREZ DE LA FRONTERA (CÁDIZ)  
Tel / Fax: 956 140 193  
e-mail: inoxpa.sur@inoxpa.com

**CHAMBLY (PARIS)**

Tel: 33 130289100  
Fax: 33 130289101  
e-mail: isf@inoxpa.com

**INOXPA AUSTRALIA PTY (LTD)**

MORNINGTON (VICTORIA)  
Tel: 61 3 5976 8881  
Fax: 61 3 5976 8882  
e-mail: inoxpa.au@inoxpa.com

**INOXPA USA, Inc**

SANTA ROSA  
Tel: 1 7075 853 900  
Fax: 1 7075 853 908  
e-mail: inoxpa.us@inoxpa.com

**INOXPA ITALIA, S.R.L.**

BALLO DI MIRANO – VENEZIA  
Tel: 39 041 411 236  
Fax: 39 041 5128 414  
e-mail: inoxpa.it@inoxpa.com

**INOXPA INDIA PVT. LTD.**

Maharashtra, INDIA.  
Tel: 91 2065 008 458  
inoxpa.in@inoxpa.com

**SAINT PETERSBURG (RUSIA)**

Tel: 78 126 221 626 / 927  
Fax: 78 126 221 926  
e-mail: spb@inoxpa.com

INOXPA products are available from our branch offices and through a network of independent distributors covering more than 50 countries around the World. For more information, visit our Web site: [www.inoxpa.com](http://www.inoxpa.com)

This information is for guidance only. We reserve the right to modify any material or characteristic without prior notice.